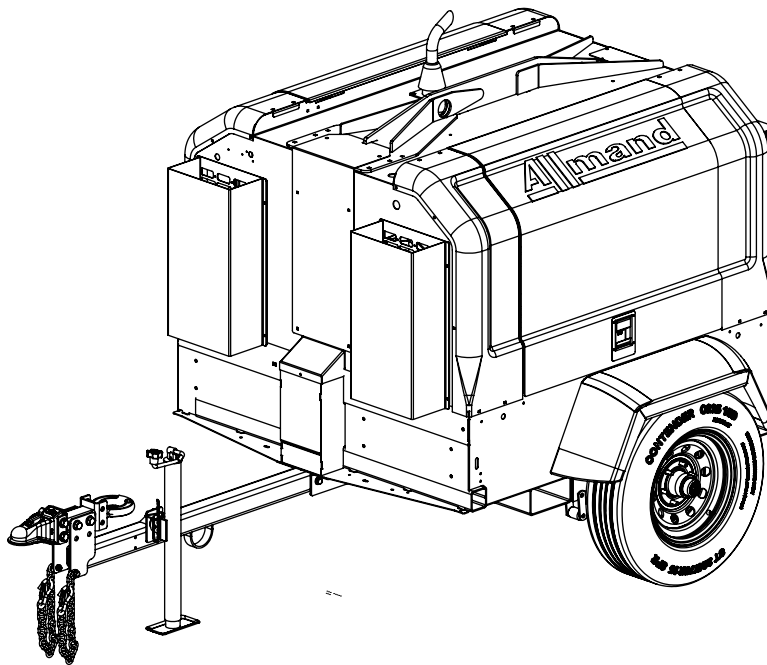


en Operator's Manual
MAXI-POWER™ MP15XR

es Manual del operario
MAXI-POWER™ MP15XR

fr Manuel d'utilisation
MAXI-POWER™ MP15XR



Products Covered by This Manual

The following products are covered by this manual:

Maxi-Power™ MP15XR

Manual Contents:

Introduction.....	2
Safety.....	2
Features And Controls.....	6
Pre-Operation Checklist.....	7
Transporting.....	8
Operation.....	13
Maintenance.....	14
Troubleshooting.....	17
Specifications.....	17

WARNING

Breathing diesel engine exhaust exposes you to chemicals known to the State of California to cause cancer and birth defects or other reproductive harm.

- Always start and operate the engine in a well-ventilated area.
- If in an enclosed area, vent the exhaust to the outside.
- Do not modify or tamper with the exhaust system.
- Do not idle the engine except as necessary.

For more information go to www.P65Warnings.ca.gov/diesel.

Introduction

About This Manual

TAKE TIME TO READ THIS MANUAL THOROUGHLY

This instruction manual provides necessary instructions for the Allmand® Maxi-Power™ MP15XR Portable Generator.

The information found in this manual is in effect at the time of printing. Allmand Bros Inc. may change contents without notice and without incurring obligation.

The images throughout this manual are representative, and may differ from your model.

Any reference in this manual to left or right shall be determined by looking at the trailer from the rear.

If uncertain about any of the information in the manual, contact the Allmand service department at 1-800-562-1373, or contact us through the Allmand website, www.allmand.com.

Save these original instructions for future reference.

Safety

Safety Definitions

For your safety, the safety of others, and to protect the performance of equipment, follow the precautions listed throughout the manual before operation, during operation and during periodic maintenance procedures.



Indicates a potential personal injury hazard.



DANGER

Indicates a hazardous situation which, if not avoided, will result in death or serious injury.



WARNING

Indicates a hazardous situation which, if not avoided, could result in death or serious injury.



CAUTION

Indicates a hazardous situation which, if not avoided, could result in minor or moderate injury.

NOTICE

Information considered important but not hazard related.

Safety Precautions

The following section contains general safety precautions and guidelines that must be obeyed to reduce risk to personal safety. Special safety precautions are listed in specific procedures. Read and understand all of the safety precautions before operating or performing repairs or maintenance.



DANGER

Electrocution Hazard

- High voltage is present when engine is running. Never attempt to service electrical components while engine is running.
- Do not operate the unit if the insulation on the electrical cord or other electrical wiring is cut or worn or if bare wires are exposed. Repair or replace damaged wiring before starting the engine.



WARNING

Unsafe Operation Hazard

- Never permit anyone to install or operate the equipment without proper training.
- Read and understand this Operator's Manual, the Engine Operator's Manual, and any other component manuals before operating or servicing the equipment to make sure that safe operating practices and maintenance procedures are followed.
- Safety signs and decals are additional reminders for safe operating and maintenance techniques.



WARNING

Fall Hazard

- Never carry riders on the equipment.



WARNING

Modification Hazard

- Never modify the equipment without written consent of the manufacturer. Any modification could effect the safe operation of the equipment.



WARNING

Exposure Hazard

- Always wear personal protective equipment, including appropriate clothing, gloves, work shoes, and eye and hearing protection, as required by the task at hand.



WARNING

Fire and Explosion Hazard

Batteries give off explosive gases during recharging. Sparks could cause explosions, resulting in death or serious injury.

Burn Hazard

Batteries contain acid, which is extremely caustic. Contact with battery contents could cause severe chemical burns.

Shock Hazard

Batteries present a risk of electric shock and high short circuit current.

- Always disconnect the negative (-) battery cable before servicing equipment.
- DO NOT dispose of battery in a fire. Recycle battery.
- DO NOT allow any open flame, spark, heat, or lit cigarette during and for several minutes after charging a battery.
- DO NOT open or mutilate battery.
- DO NOT charge a frozen battery. Always slowly warm the battery to room temperature before charging.
- Wear protective gloves, rubber apron, rubber boots and rubber gloves.
- Remove watches, rings, or other metal objects.
- Use tools having insulated handles.



WARNING

Fire And Explosion Hazard

- Diesel fuel is flammable and explosive under certain conditions.
- Never use a shop rag to catch fuel.
- Wipe up all spills immediately.
- Never refuel with the engine running.
- Store any containers containing fuel in a well ventilated area, away from any combustibles or sources of ignition.



WARNING

Alcohol And Drug Hazard

- Never operate the unit while under the influence of alcohol or drugs, or when ill.



WARNING

Entanglement / Sever Hazard

- Always stop the engine before beginning service.
- If the engine must be serviced while it is operating, remove all jewelry, tie back long hair and keep hands, other body parts and clothing away from moving/rotating parts.
- Verify that all guards and covers are attached properly to the equipment before starting the engine. Do not start the engine if any guards or covers are not properly installed on the equipment.
- Attach a "Do Not Operate" tag near the key switch while performing maintenance on the equipment.



WARNING

Flying Object Hazard

- Always wear eye protection when cleaning the equipment with compressed air or high pressure water. Dust, flying debris, compressed air, pressurized water or steam may injure your eyes.



WARNING

Coolant Hazard

- Wear eye protection and rubber gloves when handling engine coolant. If contact with the eyes or skin should occur, flush eyes and wash immediately with clean water.



WARNING

Burn Hazard

- Opening cap on hot radiator could result in death or serious injury. Allow radiator to cool down before opening cap.

 **WARNING**

Burn Hazard

- Keep hands and other body parts away from hot surfaces.
- Handle hot components with heat resistant gloves.

NOTICE

- Any part which is found defective as a result of inspection or any part whose measured value does not satisfy the standard or limit **MUST** be replaced.
- Always tighten components to the specified torque. Loose parts can cause equipment damage or cause it to operate improperly.
- Follow the guidelines of the Environmental Protection Agency (EPA), Environment Canada (EC) or other governmental agencies for the proper disposal of hazardous materials such as engine oil, diesel fuel and engine coolant.
- Only use replacement parts specified. Other replacement parts may effect warranty coverage.
- Clean all accumulated dirt and debris away from the body of the equipment and its components before you inspect the equipment or perform preventative maintenance procedures or repairs. Operating equipment with accumulated dirt and debris will cause premature wear of equipment components.
- Never dispose of hazardous materials by dumping them into a sewer, on the ground, or into groundwater or waterways.
- Retrieve any tools or parts that may have dropped inside of the equipment to avoid improper equipment operation.
- If any alert indicator illuminates during equipment operation, stop the engine immediately. Determine the cause and repair the problem before continuing to operate the equipment.

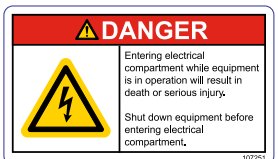

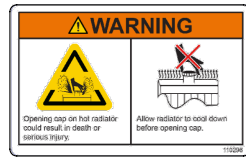
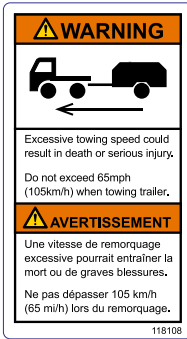

It is a violation of California Public Resource Code, Section 4442, to use or operate the engine on any forest-covered, brush-covered, or grass-covered land unless the exhaust system is equipped with a spark arrester, as defined in section 4442, maintained in effective working order. Other states or federal jurisdictions may have similar laws; reference Federal Regulation 36 CFR Part 261.52.


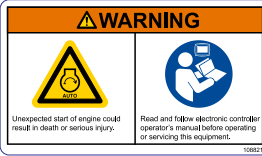
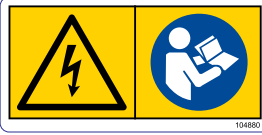




Safety Decals


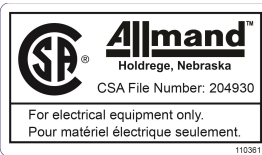
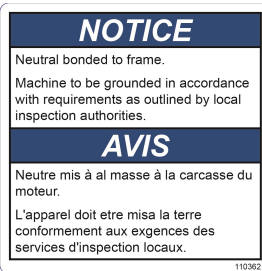

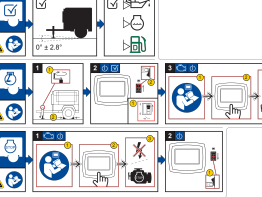
Before operating your unit, read and understand the following safety decals. The cautions, warnings, and instructions are for your safety. To avoid personal injury or damage to the unit, understand and follow all the decals.

Keep the decals from becoming dirty or torn, and replace them if they are lost or damaged. Also, if a part needs to be replaced that has a decal attached to it, make sure to order the new part and decal at the same time.

If any safety or instructional decals become worn or damaged, and cannot be read, order replacement decals from your dealer.











<p>US Models</p> <p>DANGER - Entering electrical compartment while equipment is in operation will result in death or serious injury. Shut down equipment before entering electrical compartment.</p> <p>Part No. 107251</p>	
<p>WARNING - Contact with rotating parts could result in death or serious injury. Keep away from rotating parts.</p> <p>Part No. 110295-1</p> <p>WARNING - Opening cap on hot radiator could result in death or serious injury. Allow radiator to cool down before opening cap.</p> <p>Part No. 110295-2</p> <p>WARNING - Smoking materials, open flames, or other forms of ignition near the battery could cause explosion resulting in death or serious injury. Keep smoking materials, open flame, and other forms of ignition away from the battery.</p> <p>Part No. 110295-3</p> <p>WARNING - Exposure to corrosive material could result in death or serious injury. Wear protective gloves when handling battery.</p> <p>Part No. 110295-4</p>	
<p>WARNING - Opening cap on hot radiator could result in death or serious injury. Allow radiator to cool down before opening cap.</p> <p>Part No. 110296</p>	
<p>WARNING - Excessive towing speed could result in death or serious injury. Do not exceed 65mph (105km/h) when towing trailer.</p> <p>Part No. 118108</p>	
<p>WARNING - Breathing diesel engine exhaust exposes you to chemicals known to the State of California to cause cancer and birth defects or other reproductive harm. Always start and operate the engine in a well-ventilated area. If in an enclosed area, vent the exhaust to the outside. Do not modify or tamper with the exhaust system. Do not idle the engine except as necessary. For more information go to www.P65warnings.ca.gov/diesel</p> <p>Part No. 112141</p>	

<p>WARNING - Engine exhaust contains carbon monoxide, a poisonous gas that could cause death or serious injury. Run equipment far from windows, doors and vents. Do not run equipment indoors or in partially enclosed spaces.</p> <p>Part No. 113940</p>	
<p>WARNING - Unexpected start of engine could result in death or serious injury. Read and follow electronic controller operator's manual before operating or servicing this equipment.</p> <p>Part No. 108821 (LSC and Deep Sea Models)</p>	
<p>Non-US Models</p>	
<p>DANGER - Entering electrical compartment while equipment is in operation will result in death or serious injury. Shut down equipment before entering electrical compartment.</p> <p>Part No. 104880</p>	
<p>WARNING - Contact with rotating parts could result in death or serious injury. Keep away from rotating parts.</p> <p>Part No. 110310-1</p>	
<p>WARNING - Opening cap on hot radiator could result in death or serious injury. Allow radiator to cool down before opening cap.</p> <p>Part No. 110310-2</p>	
<p>WARNING - Smoking materials, open flames, or other forms of ignition near the battery could cause explosion resulting in death or serious injury. Keep smoking materials, open flame, and other forms of ignition away from the battery.</p> <p>Part No. 110310-3</p>	
<p>WARNING - Exposure to corrosive material could result in death or serious injury. Wear protective gloves when handling battery.</p> <p>Part No. 110310-4</p>	
<p>WARNING - Opening cap on hot radiator could result in death or serious injury. Allow radiator to cool down before opening cap.</p> <p>Part No. 110309</p>	
<p>DANGER - Engine exhaust contains carbon monoxide, a poisonous gas that could cause death or serious injury. Run equipment far from windows, doors and vents. Do not run equipment indoors or in partially enclosed spaces.</p> <p>Part No. 113941</p>	

<p>WARNING - Automatic Engine Start. Unexpected start of engine could result in death or serious injury. Read and follow electronic controller operator's manual before operating or servicing this equipment.</p> <p>Part No. 107978 (LSC and Deep Sea Models)</p>	
<p>Canadian Models</p>	
<p>CSA File Number</p> <p>Part No. 110361</p>	
<p>Grounding Notice</p> <p>Part No. 110362</p>	
<p>WARNING - Engine exhaust contains carbon monoxide, a poisonous gas that could cause death or serious injury. Run equipment far from windows, doors and vents. Do not run equipment indoors or in partially enclosed spaces.</p> <p>Part No. 110363</p>	
<p>All Models</p>	
<p>Operating Instructions</p> <p>Part No. 118363</p>	

Operation Icons

The following table contains operation icons that may be found on the unit, along with the meaning of each icon.

Icon	Meaning	Icon	Meaning
	Power On		Work Light
	Power Off		Engine Oil Drain
	Engine Stop		Engine Coolant Drain
	Engine Run		Fluid Containment Drain
	Engine Start		Circuit Breaker

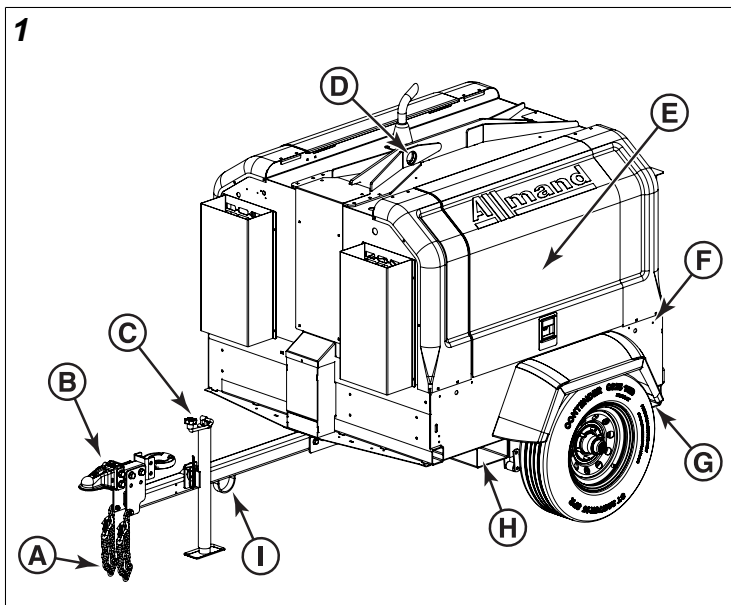
Icon	Meaning	Icon	Meaning
	Engine Preheat		Disconnecting Circuit Breaker
	Hourmeter		Earth Ground
	Trailer Interior Light		

Features And Controls

The Allmand® Maxi-Power™ MP15XR Portable Generator is intended for use as a stationary generator set.

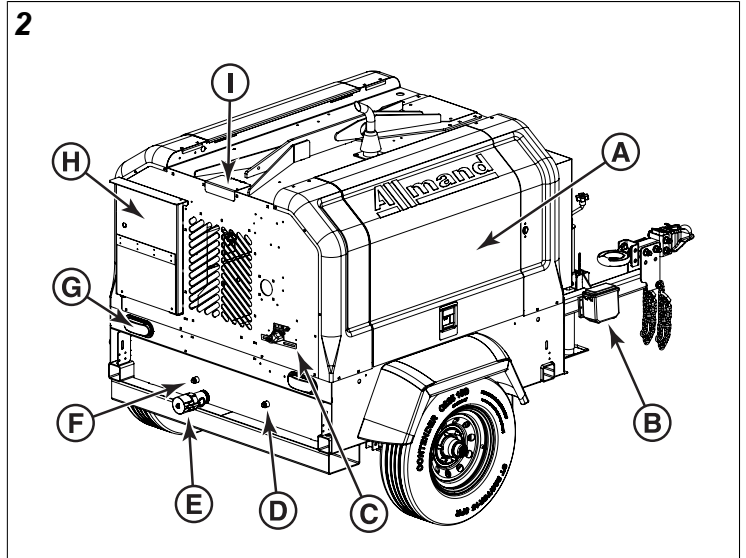
Identify the features and controls of the machine by comparing Figures 1 through 3 with the tables following. See **Transporting** and **Operation** for detailed information on each feature / control.

Front



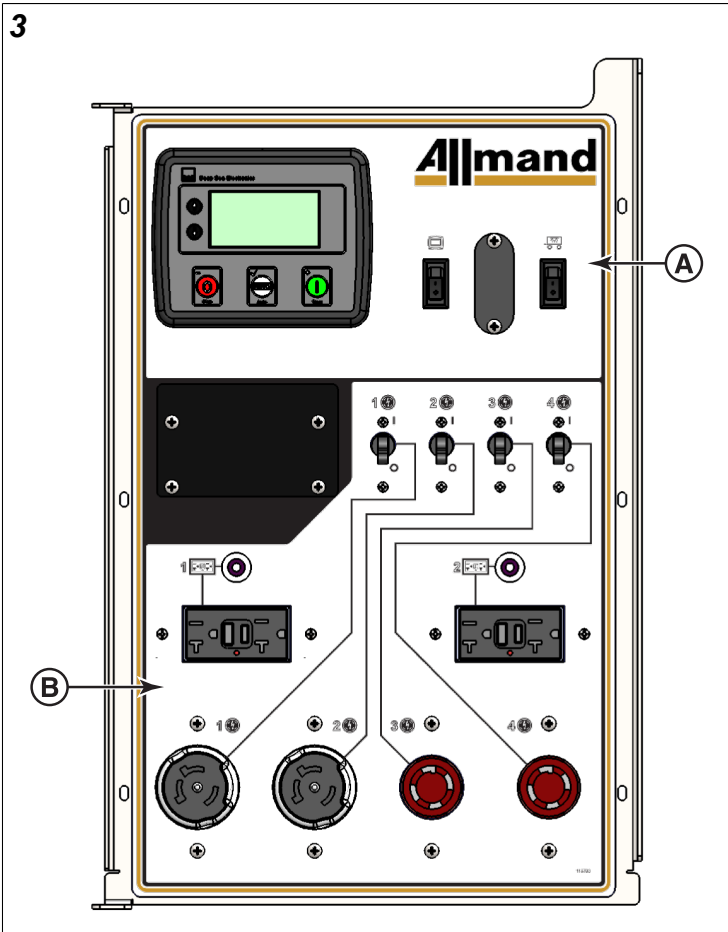
Ref	Description
A	Safety Chains (2)
B	Trailer Coupler / Lunette Ring
C	Tongue Jack
D	Lifting Eye
E	Engine Compartment Access Door
F	Ground Lug
G	Rear Forklift Pocket / Tie Down Point (each side)
H	Front Forklift Pocket (each side)
I	Front Tie Down Loop

Rear



Ref	Description
A	Engine Compartment Access Door
B	Breakaway Kit
C	License Bracket / Marker Light
D	Engine Oil Drain
E	Fluid Containment Drain
F	Engine Coolant Drain
G	Tail Light (2)
H	Control Panel Access Door
I	Radiator Access Door

Control Panel



Ref	Description
A	Engine Panel
B	Auxiliary Outlet Panel

Pre-Operation Checklist

Perform the following checks before transporting and operating the unit, as well as when performing general maintenance.



WARNING

Unsafe Operation Hazard

- Operating or transporting the machine with worn, damaged or missing parts can result in death or serious injury. Always replace worn, damaged or missing parts promptly. Do not transport or operate the machine until all worn, damaged or missing parts have been replaced, and proper operation of the machine has been verified.

Note:

We encourage the use of authorized replacement Allmand parts. The warranty does not cover damage or performance problems caused by the use of parts that are not authorized replacement parts.

1. Check that all safety and operation decals are present and legible. See **Safety - Safety Decals**.

2. Check that all operator's manuals (product, engine, generator, etc.) are with the unit.
3. Check the following components for wear and damage, and for proper operation:
 - a. Tongue jack
 - Check for rust or damage. Repair or replace as needed.
 - Check for proper operation. See **Transporting - Using The Tongue Jack**.
 - b. Hitch Assembly (trailer coupler / lunette ring)
 - Check for rust or damage. Repair or replace as needed.
 - Check for proper operation. See **Transporting - Coupling And Uncoupling The Trailer Hitch**.
 - Check hardware for proper tightness. Tighten as needed.
 - c. Safety chains
 - Check for rust or damage. Repair or replace as needed.
 - Check hardware for proper tightness. Tighten as needed.
 - d. Trailer lighting cable
 - Check for cut, frayed or bare wires. Repair or replace as needed.
 - Check connector for damage. Repair or replace as needed.
 - e. Breakaway kit
 - Check for broken or frayed wires or breakaway cable.
 - Check battery charge status.
 - f. Tires
 - Check for wear, cuts, cracks, etc. Replace as needed.
 - Check and adjust inflation pressure. See **Specifications** for proper inflation pressure.
 - g. Brakes
 - Check brakes for proper operation and wear. Repair as needed.
 - h. Axle and undercarriage
 - Check for rust or damage. Repair as needed.
 - i. Electrical wiring
 - Check for cut, worn or bare electrical wiring. Repair as needed.



WARNING

Electrocution hazard

- Operating the unit with cut, worn or bare electrical wiring could result in death or serious injury. Repair or replace damaged wiring before operating the light tower.

- j. Engine
 - Check for leaks or other signs of wear or damage. Repair as needed.
 - Check the air cleaner to be sure it is firmly attached, and that the air cleaner seals and hose clamps are properly secured. Check the air cleaner element. Replace if necessary.

4. Check and adjust fluid levels.

a. Engine Oil

- Refer to the engine operator's manual for oil recommendations, capacity, and procedures.

NOTICE

Operating engine without oil will cause engine damage.

b. Engine Coolant

- Refer to the engine operator's manual for coolant recommendations, capacity, and procedures.

NOTICE

Operating engine without coolant will cause engine damage.

c. Fuel

- See **Operation - Fueling The Unit** for fuel tank location, capacity, and fueling procedures.

Transporting



WARNING

Unsafe Operation Hazard

- Operating the equipment without proper training could result in death or serious injury. Never allow anyone to operate the equipment without proper training.

Before transporting, read **Safety**.

Preparing For Work Site Delivery

Prepare the unit for delivery to the work site, especially if it has been stored or idle for a period of time.



WARNING

Unsafe Operation Hazard

- Operating or transporting a machine with worn, damaged or missing parts can result in death or serious injury. Always replace worn, damaged or missing parts promptly. Do not operate or transport this machine until all worn, damaged or missing parts have been replaced, and proper operation of the machine has been verified.

1. Perform all pre-operation checks. See **Pre-Operation Checklist**.

2. Run the engine through a startup and shutdown cycle to verify operation. See **Operation - Operating The Engine**. Also refer to the engine operator's manual.

Preparing For Transport

1. Shut down the engine. See **Operation - Operating The Engine**. Also refer to the engine operator's manual
2. Close and lock all access doors.

Towing

Maximum highway speed is 65 mph (105 km/h). Maximum off-highway speed is 20 mph (32 km/h). Do not exceed these speed limits.



WARNING

Unsafe Operation Hazard

- Towing the trailer at highway speeds in excess of 65 mph (105 km/h) could result in death or serious injury. Do not tow the trailer at highway speeds in excess of 65 mph (105 km/h).

Tow vehicle / hitch requirements

1. Check the Gross Vehicle Weight Rating (GVWR) of the trailer. See **Specifications**.
2. Check the rated towing capacity of the tow vehicle and hitch. Both must meet or exceed the GVWR of the trailer.

Note: Check the vehicle owner's manual and hitch owner's manual for rated towing capacities.



WARNING

Towing Hazard

- Using a tow vehicle or hitch with a rated towing capacity less than the GVWR of the trailer could result in death or serious injury. Use only a tow vehicle and hitch with a rated towing capacity that meets or exceeds the GVWR of the trailer.

Check the tow vehicle hitch type

The trailer is designed for the following types of available tow vehicle hitches:

- 2" ball hitch
- Pintle hitch
- 2-5/16" ball hitch
- 2" Bulldog hitch

Be sure the tow vehicle is equipped with either of these hitch types. Install if needed.



WARNING

Unsafe Operation Hazard

- Failure to use a tow vehicle hitch that mates with the trailer hitch assembly could result in death or serious injury. Use only a tow vehicle hitch that mates with the trailer hitch assembly.

Reversing the trailer hitch assembly

The trailer hitch assembly is reversible. Use the trailer coupler (A, Figure 4) for ball hitches, or the lunette ring (B) for pintle hitches. To reverse the trailer hitch assembly:

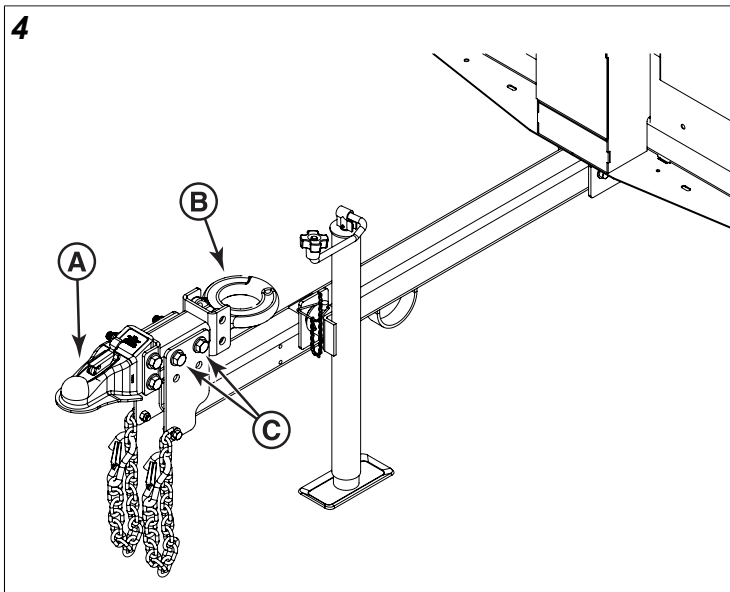
1. Remove the mounting hardware (C, Figure 4).
2. Reverse the trailer hitch assembly.
Note: Use the set of mounting holes in the trailer tongue that will keep the trailer as level as possible when connected to the tow vehicle.
3. Reinstall the hardware. Tighten securely.



WARNING

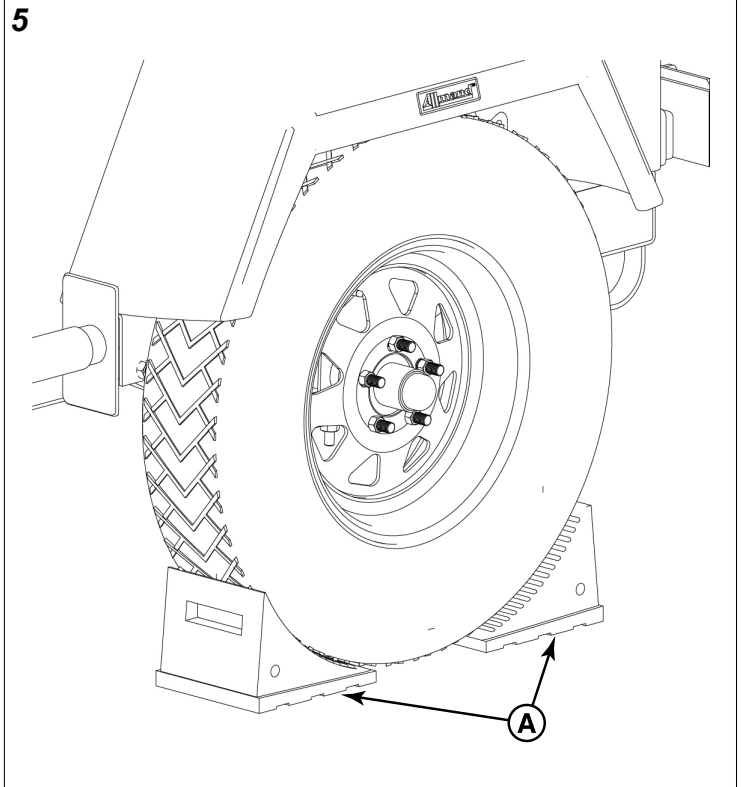
Unsafe Operation Hazard

- Failure to properly install the trailer hitch assembly could result in death or serious injury. Install the trailer hitch assembly properly, and tighten the hardware securely.



Connect the trailer to the tow vehicle

1. Position a wheel chock (not supplied) firmly against the front and rear of the wheel (A, Figure 5) on each side of the trailer.



2. Use the tongue jack to raise the trailer tongue. See **Transporting - Using The Tongue Jack**.
3. Position the tow vehicle hitch under the trailer hitch.
4. Couple the trailer hitch to the tow vehicle hitch. See **Transporting - Coupling And Uncoupling The Trailer Hitch**.
5. Connect the safety chains.



WARNING

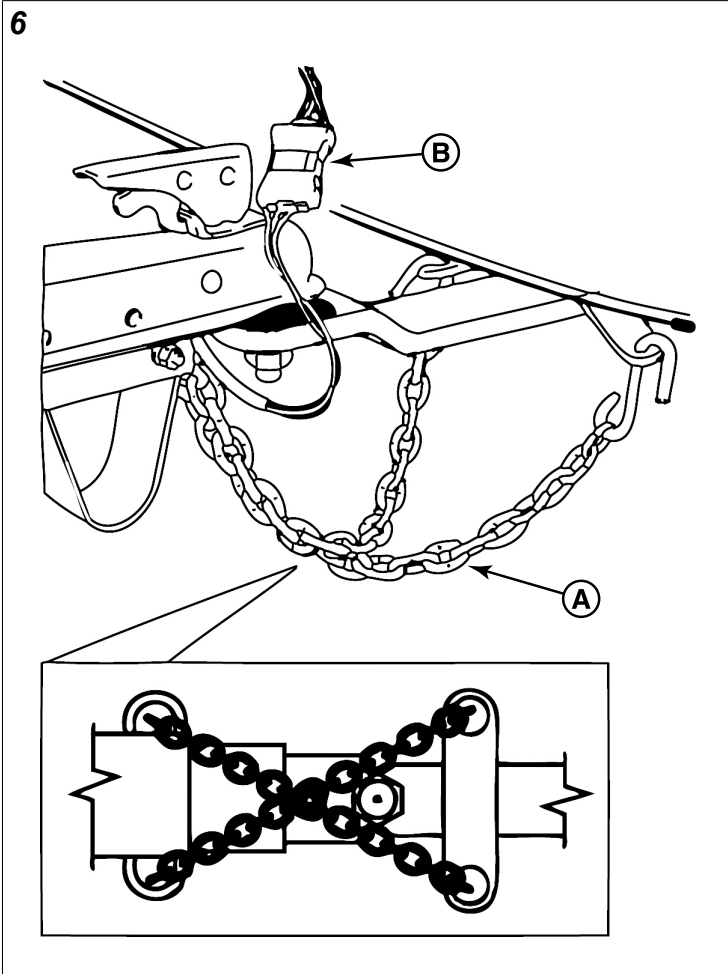
Unsafe Operation Hazard

- Failure to properly install safety chains could result in death or serious injury. Always properly install safety chains.
 - a. Connect the safety chains (A, Figure 6) to the safety chain pockets on the tow vehicle. Criss-cross the chains under the hitch to cradle the hitch in the event of a disconnect.
 - b. Rig the chains as tightly as possible while allowing enough slack to permit free turning.
6. Connect the trailer lighting cable.
 - a. Make sure the trailer lighting cable mates with the tow vehicle lighting cable. If needed, install the proper cable and/or connector to the tow vehicle.
 - b. Connect the trailer lighting cable to the tow vehicle lighting cable (B, Figure 6).
 - c. Make sure there is adequate slack to allow for turning without allowing the cable to drag on the ground.
 - d. Check the trailer lights for proper operation.

WARNING

Unsafe Operation Hazard

- Failure of trailer lights to operate properly could result in death or serious injury. Always check for proper operation of trailer lights, and repair or replace as needed.



7. Retract the tongue jack. See **Transporting - Using The Tongue Jack**.
8. Remove the wheel chocks.

The trailer is now ready for towing.

To disconnect the trailer from the tow vehicle

1. Chock the wheels.
2. Deploy the tongue jack. See **Transporting - Using The Tongue Jack**.
3. Disconnect the trailer lighting cable from the tow vehicle lighting cable.
4. Remove the safety chains from the safety chain pockets on the tow vehicle.
5. Uncouple the trailer hitch from the tow vehicle hitch. See **Transporting - Coupling And Uncoupling The Trailer Hitch**.
6. Move the tow vehicle away from the unit.

Using The Tongue Jack

The unit is equipped with a tongue jack to raise and lower the trailer tongue, and to level the trailer front-to-rear.

To deploy the tongue jack

1. Remove the jack locking pin (A, Figure 7).
2. Rotate the tongue jack 90° into the operating position (B, Figure 7). Install the jack locking pin (C).

WARNING

Unsafe Operation Hazard

- Failure to install the jack locking pin could result in death or serious injury. Be sure the tongue jack is locked in the operating position with the jack locking pin.
3. Unfold the jack handle into the operating position (D, Figure 7).

To lower the jack foot (raise the trailer tongue)

- Turn the jack handle counterclockwise (E, Figure 7) to lower the jack foot (F) and raise the trailer tongue.

To raise the jack foot (lower the trailer tongue)

- Turn the jack handle clockwise (G, Figure 7) to raise the jack foot (H) and lower the trailer tongue.

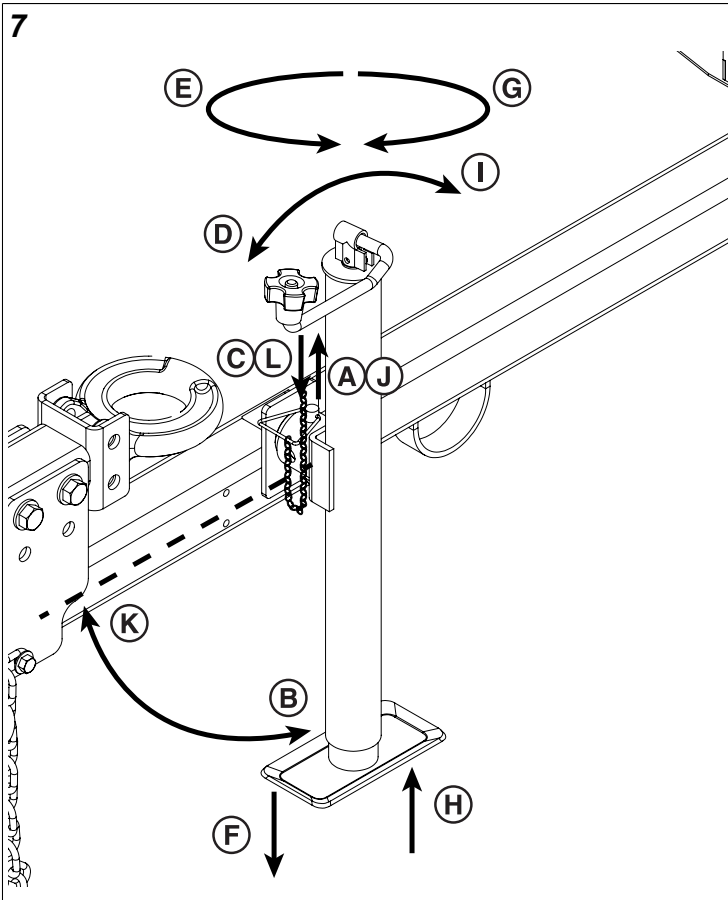
To retract the tongue jack

1. Be sure the trailer is securely supported by the tow vehicle or other approved means.

WARNING

Unsafe Operation Hazard

- Failure to support the trailer tongue before retracting the tongue jack could result in death or serious injury. Be sure the trailer tongue is securely supported before retracting the tongue jack.
2. Fully raise the jack foot.
 3. Fold the jack handle into the transport position (I, Figure 7).
 4. Remove the jack locking pin (J, Figure 7).
 5. Rotate the tongue jack 90° into the transport position (K, 7). Install the jack locking pin (L).



Coupling And Uncoupling The Trailer Hitch Trailer Coupler (for ball hitches)

To couple to the tow vehicle ball hitch

1. Pull up on the locking trigger (A, Figure 8), and lift the locking lever (B, shown lifted).
2. Use the tongue jack to lower the trailer coupler socket (C, Figure 8) fully onto the hitch ball (F). See **Transporting - Using The Tongue Jack**.
3. Adjust the coupler clamp (D, Figure 8) using the adjusting nut (E). Tighten the adjusting nut by turning the nut clockwise, or loosen by turning counter-clockwise. Proper adjustment is obtained when the coupler is as tight as possible on the hitch ball and the locking lever can still be opened and closed.



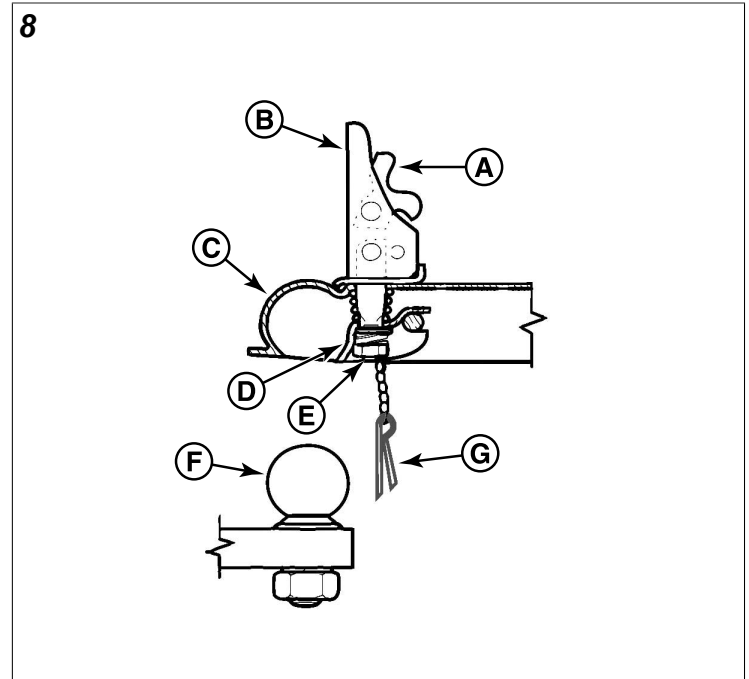
WARNING

Unsafe Operation Hazard

- Failure to properly adjust the coupler clamp could result in death or serious injury. Adjust the coupler clamp, and check adjustment frequently.
4. Push the locking lever down into the locked position. Insert the locking pin (G, Figure 8) into the hole in the locking lever, or use a padlock for added security.
 5. Check to be sure the coupler is securely attached to the ball hitch.

To uncouple

1. Remove the locking pin (or padlock, if used) from the hole in the locking lever.
2. Pull up on the locking trigger, and lift the locking lever.
3. Use the tongue jack to raise the trailer coupler until it clears the hitch ball. See **Transporting - Using The Tongue Jack**.



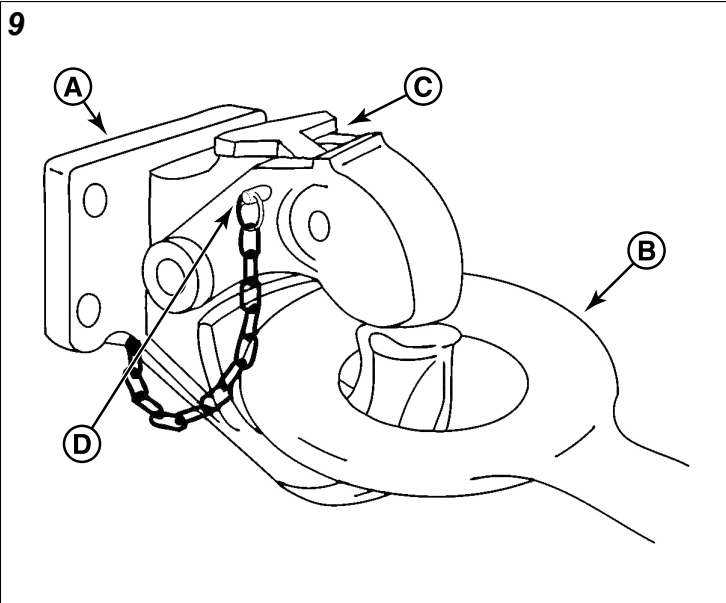
Lunette Ring (for pintle hitches)

To couple to the tow vehicle pintle hitch

1. Open the locking latch (C, Figure 9) on the tow vehicle pintle hitch (A).
- Note: Standard pintle hitch shown; designs vary.*
2. Use the tongue jack to lower the lunette ring (B, Figure 9) into the pintle hitch hook. See **Transporting - Using The Tongue Jack**.
 3. Close the locking latch. Insert the locking pin (D, Figure 9) into the hole in the locking latch.

To uncouple

1. Remove the locking pin from the hole in the locking latch.
2. Open the locking latch.
3. Use the tongue jack to raise the lunette ring until it clears the pintle hitch hook. See **Transporting - Using The Tongue Jack**.



Lifting

Lifting equipment requirements

- Use only approved lifting equipment with a rated lifting capacity that exceeds the GVWR of the unit. See **Specifications**.



WARNING

Unsafe Operation Hazard

- Failure to use approved lifting equipment with a rated lifting capacity that exceeds the GVWR of the unit could result in death or serious injury. Use only approved lifting equipment with a rated lifting capacity that exceeds the GVWR of the unit.

Lifting points

- Lifting eye - (A, Figure 10) Use only shackles or a locking type hook when using the lifting eye.
- Forklift pockets - (B, Figure 10) Use forklift blades at least 60" (152 cm) long when lifting the unit. Insert the forklift blades fully into the forklift pockets.



WARNING

Unsafe Operation Hazard

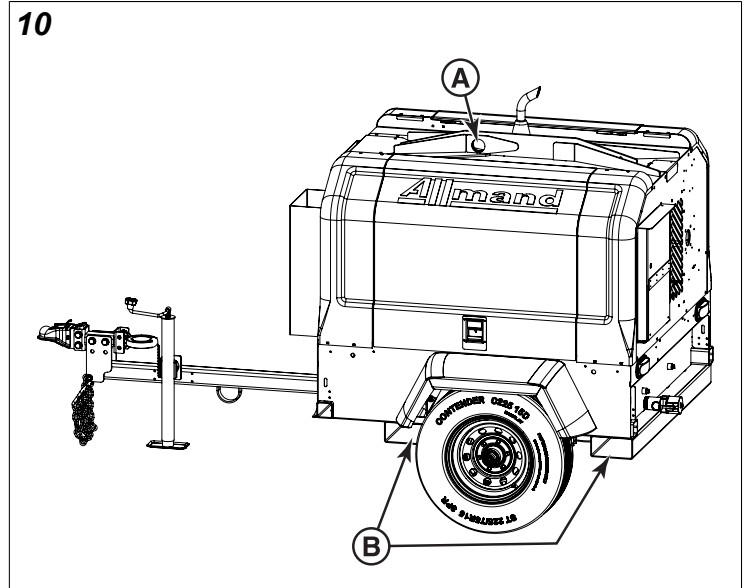
- Failure to use the designated lifting points to lift the unit could result in death or serious injury. Use only the designated lifting points to lift the unit.



WARNING

Crush Hazard

- Standing under or near the unit while it is being lifted could result in death or serious injury. Never stand under or near the unit while it is being lifted.



Transporting On A Trailer

Three tie-down points, located on the bottom rear of the trailer (forklift pockets on right and left sides) and the underside of the trailer tongue (A, Figure 11), are used to secure the unit to a transport trailer.

Note: All models have similar tie-down point locations.



WARNING

Unsafe Operation Hazard

- Failure to use the designated tie-down points to secure the unit to the transport trailer could result in death or serious injury. Always use the designated tie-down points to secure the unit to the transport trailer.

1. Secure the unit at the tie-down points with appropriately rated chains or straps.



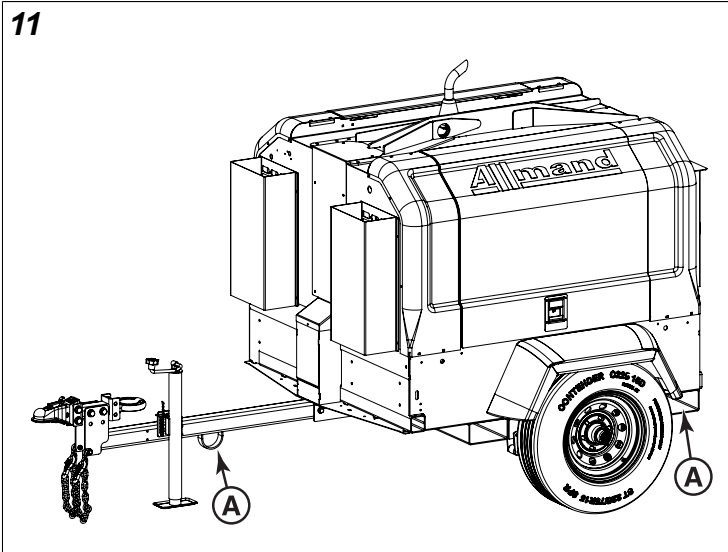
WARNING

Unsafe Operation Hazard

- Failure to use appropriately rated chains or straps to secure the unit to the transport trailer could result in death or serious injury. Always use appropriately rated chains or straps to secure the unit to the transport trailer.

2. Do not apply more than 600 lbs (272 kg) force on the chains or straps.
3. The truck operator is responsible for securing the load properly to the transport trailer.

11



Operation

Before operating, read **Safety**.

Choosing The Work Site

1. Obey state, province and federal rules and regulations, as well as rules or instructions for the work site.
2. Consider the following when choosing a work site:

Ground surface

- Set up on smooth, flat, solid ground surfaces only.
- Do not set up on inclines of more than 2.8° (5% grade) front-to-back and side-to-side.



WARNING

Rollover Hazard

- Setting up the unit on soft or unstable ground, or on inclines of more than 2.8° (5% grade), could result in death or serious injury. Set up the unit only on smooth, flat solid ground surfaces with inclines of no more than 2.8° (5% grade).

Setting Up The Unit

1. Position the unit at the work site. See **Operation - Choosing The Work Site**.
2. Chock the wheels. See **Transporting – Towing**.
3. If the unit was towed to the work site, disconnect from the tow vehicle. See **Transporting – Towing**.
4. Level the trailer using the tongue jack. See **Transporting – Using The Tongue Jack**.
5. The unit is now set up and ready for operation.

Fueling The Unit

To fuel

- Open the engine compartment access door to access the fuel tank(s).
- Open the filler cap(s).

- Add fuel as needed. Refer to the engine operator's manual for fuel recommendations. See **Specifications** for fuel capacity.

NOTICE

Diesel fuel only. Use of gasoline could result in engine damage.

NOTICE

Pressurized fueling is not allowed.

Operating The Unit

Before Operating

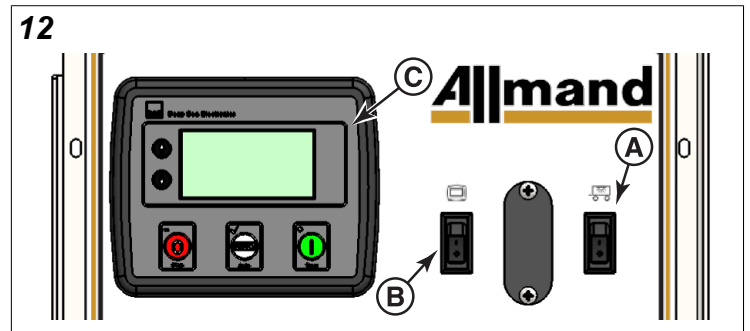
1. Perform pre-operation checks. See **Pre-Operation Checklist**.
2. Make sure the unit is set up properly at the work site. See **Operation - Setting Up The Unit**.

Operating The Engine

To start the engine

Deep Sea models

1. Set the Deep Sea mode switch (C, Figure 12) to ON.
2. See the separate manual for operation of the unit (D, Figure 12).



A	Interior Light - Turns on lights inside engine compartment
B	Deep Sea Mode Switch
C	Deep Sea Unit

To shut down the engine

Deep Sea models

1. See the Deep Sea Manual for Deep Sea shutdown procedures.
2. Set the Deep Sea mode switch to OFF.

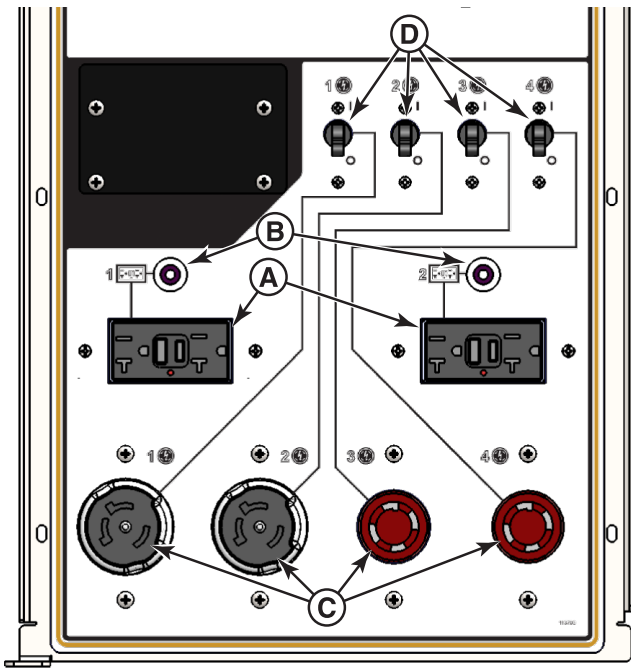
Automatic engine shutdown

The engine is equipped with an automatic engine shutdown system to prevent excessive engine damage in the event of low oil pressure or high coolant temperature. For additional information, refer to the engine operator's manual.

Auxiliary AC Outlets

Units come equipped with a variation of auxiliary AC outlets. See Figure 13 and the table following.

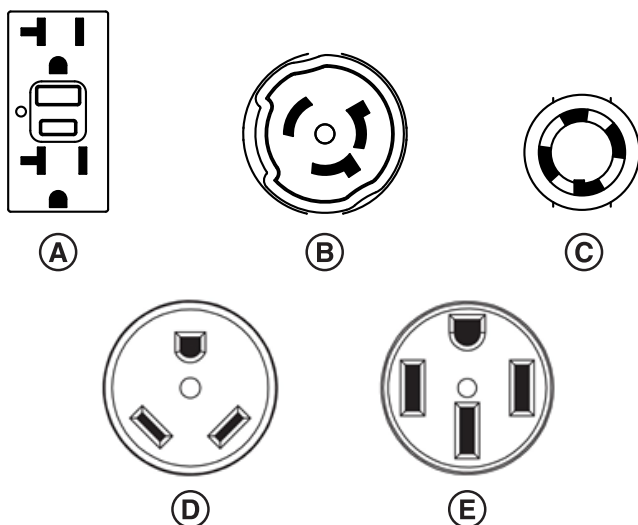
13



A	120V GFCI Outlets	Outlets provide 120V power protected by ground fault circuit interrupter (GFCI)
B	GFCI Reset Buttons	Resets GFCI Outlets
C	Auxiliary Outlets	Various auxiliary outlets
D	Auxiliary Outlet Breakers	Turns the auxiliary outlets on and off

See Figure 14 and the table following for the types of available outlets.

14



A	20 Amp, 120 Volt 2-Pole, 3-Wire Duplex GFCI NEMA 5-20R
B	50 Amp, 120/240 Volt 3-Pole, 4-Wire CS6369 RECEPTACLE
C	30 Amp, 120/240 Volt 3-Pole, 4-Wire Twist Lock NEMA L14-30R
D	30 Amp, 120 Volt, 2-Pole, 3-Wire NEMA TT-30R

E 50 Amp, 120/240 Volt 3-Pole, 4-Wire NEMA L14-50R

Power is supplied to the outlets when the engine is running and the main breaker is ON.

Each outlet is protected by a dedicated circuit breaker. If a breaker trips:

1. Disconnect the load from the outlet.
2. Shut off the engine.
3. Wait 10 minutes for the generator to cool down.
4. Correct the load problem.
5. Start the engine.
6. Reset the breaker.

Note: Be sure to also check the GFCI breaker on the GFCI outlet and reset if necessary.

7. Reconnect the load.
8. If the problem persists, see **Troubleshooting**.

Shutting Down The Unit

1. Shut down the engine. See **Operation - Operating The Engine**.
2. The unit is now ready for transport. See **Transporting**.

Maintenance

Before performing any maintenance, read **Safety**.

Scheduled maintenance is necessary for safe and effective operation of the unit. Under extreme conditions (dusty conditions, extreme heat or cold, etc.), more frequent maintenance may be required.



WARNING

Unsafe Operation Hazard

- Operating or transporting a machine with worn, damaged or missing parts could result in death or serious injury. Replace worn, damaged or missing parts promptly. Do not operate or transport the machine until all worn, damaged or missing parts have been replaced, and proper operation of the machine has been verified.

General

Use the pre-operation checklist as a general maintenance guideline. See **Pre-Operation Checklist**.

Engine

General Engine Maintenance

Refer to the engine operator's manual for all scheduled engine maintenance procedures (including oil, coolant, filters, etc.).

Engine Oil Drain

The unit is equipped with a remote engine oil drain (A, Figure 15).

To drain the engine oil:

1. Place an approved container beneath the oil drain.
2. Remove the oil drain plug or open the oil drain valve, depending on model.
3. Allow the engine oil to drain completely into the approved container. Make sure to dispose of used engine oil according to local, state, province and/or federal rules.
4. Replace the oil drain plug or close the oil drain valve.
5. Add oil to the engine. Refer to Specifications or the engine operator's manual for oil recommendations and capacity.

NOTICE

Failure to add engine oil will result in engine damage.

Engine Coolant Drain

The unit is equipped with a remote engine coolant drain (B, Figure 15).

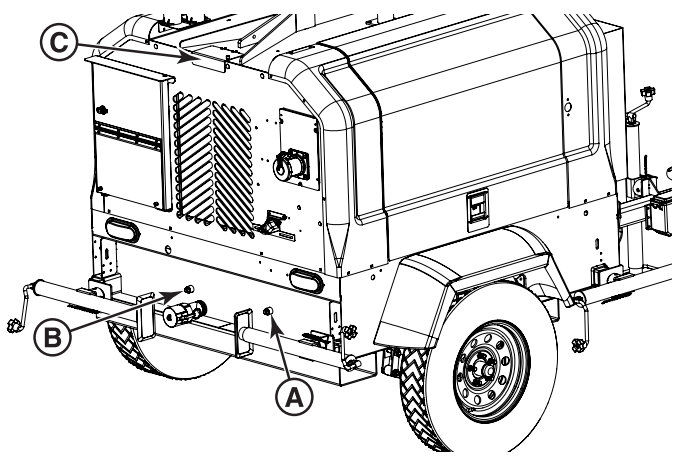
To drain the engine coolant:

1. Place an approved container beneath the coolant drain.
2. Remove the coolant drain plug or open the coolant drain valve, depending on model.
3. Allow the engine coolant to drain completely into the approved container. Make sure to dispose of used engine coolant according to local, state, province and/or federal rules.
4. Replace the coolant drain plug or close the coolant drain valve.
5. Open the coolant fill access door (C, Figure 15), and add coolant to the engine. Refer to the engine operator's manual for coolant recommendations and capacity.

NOTICE

Failure to add engine coolant will result in engine damage.

15



Electrical System

Generator

Refer to the generator operator's manual for all generator scheduled maintenance procedures.

Trailer

Frame

1. Check the trailer coupler for proper operation, and for corrosion or damage. Replace as needed.
2. Inspect the trailer frame and body panels for rust, nicks and chips. Use the proper touch-up paint to touch up nicks or scratches. Contact your dealer for additional information.
3. Inspect the axle, springs and undercarriage for wear and damage. Replace as needed.
4. Inspect the outrigger bars, front and rear stabilizer jacks and locking mechanisms for proper operation, wear and damage. Replace as needed.
5. Inspect the safety chains for wear and corrosion damage. Replace as needed.
6. Check the breakaway kit for damage. Check that the battery is properly charged. Check the wiring for wear or fraying. Inspect the breakaway cable for wear or damage. Repair or replace as needed.

Grease Points

1. Use NGLI consistency #2 high-temperature anti-friction bearing lubricating grease for all trailer mechanical pivot points.

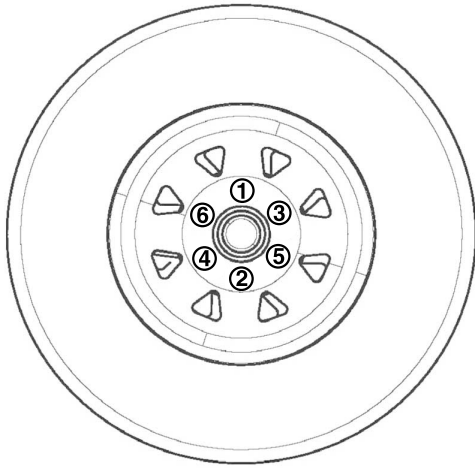
Trailer Wheels and Tires



WARNING

Towing Hazard

- Towing a trailer with damaged tires, rims or lug nuts could result in death or serious injury. Never tow the trailer with damaged tires, rims or lug nuts.
1. Check the tires for any cracks, cuts or damage. Repair or replace the damaged tires before towing.
 2. Check the air pressure of the trailer tires when cold. See **Specifications**.
 3. Check the wheel rims for any cracks or damage.
 4. Check the brakes to make sure that they work properly.
 5. Make sure all the lug nuts are in place. Never tow the trailer with missing or improperly tightened lug nuts.
 6. Check that the lug nuts are tightened properly. The correct torque for the lug nuts is 90 lb-ft (122 Nm).
 7. When torquing lug nuts, always use a criss-cross pattern (Figure 16).



Wheel Bearings

Refer to the axle manual for information regarding maintenance of wheel bearings and other axle components.

Trailer Lighting



WARNING

Towing Hazard

- Never tow the trailer with inoperable trailer lights. Lights are a vital safety feature of your trailer and are also required by state law. Keep the lights in proper working order.
1. Check the trailer lights and harness for damage or wear. Repair or replace as needed.
 2. Make sure the harness is secured to the trailer and does not hang down onto the ground.
 3. Check the taillight housing assemblies for damage or leaks. Use silicone or rubber sealant to seal the lens or harness, as required, or replace the housing assembly. Electrical grease will help protect the sockets and prevent corrosion.
 4. When replacing bulbs, make sure the proper bulb is used and use a small amount of electrical grease in the sockets to prevent corrosion.
 5. For trailer wiring schematic information, refer to the separate Wire Schematic Manual.

Cleaning



WARNING

Entanglement Hazard

Failure to shut down the engine before cleaning the unit could result in death or serious injury. Always shut down the engine before cleaning the unit.



WARNING

Burn Hazard

Shut down the engine and allow ample time for components to cool before cleaning the unit. Failure to do so could result in serious burns.

NOTICE

Use caution when using compressed air or water / steam pressure washers. Do not pressure-clean electrical components, as this may cause damage.

Keeping the unit clean is important to ensure proper operation. Dirt and dust buildup acts as an insulator and may cause the engine and generator to operate at excessively high temperatures.

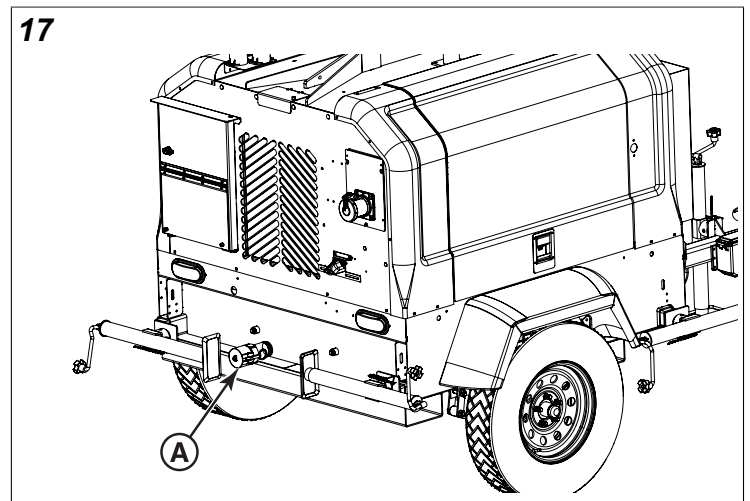
Use the following as cleaning guidelines:

1. Clean the trailer to remove all dust, dirt or other foreign material.
2. Clean all electrical wiring and components by hand using non-corrosive cleaner.
3. Clean the inside of the engine compartment.
4. Clean any oil or liquid spills inside the engine compartment.
5. Empty the fluid containment tray. See **Draining the Fluid Containment Tray**.

Fluid Containment System

The unit contains a fluid containment system designed to catch fuel, oil or coolant spills. To drain:

1. Position a suitable container beneath the fluid containment drain (A, Figure 17)
2. Remove the drain plug.
3. Allow the fluid to drain completely into the container.
4. Reinstall the drain plug.
5. Dispose of the fluid properly in accordance with governmental guidelines.



Long-Term Storage

Proper maintenance is required when the unit will be stored or removed from operation for long periods of time.

Refer to the Engine Operator's Manual and the Generator Operator's Manual for all engine and generator long-term storage procedures.

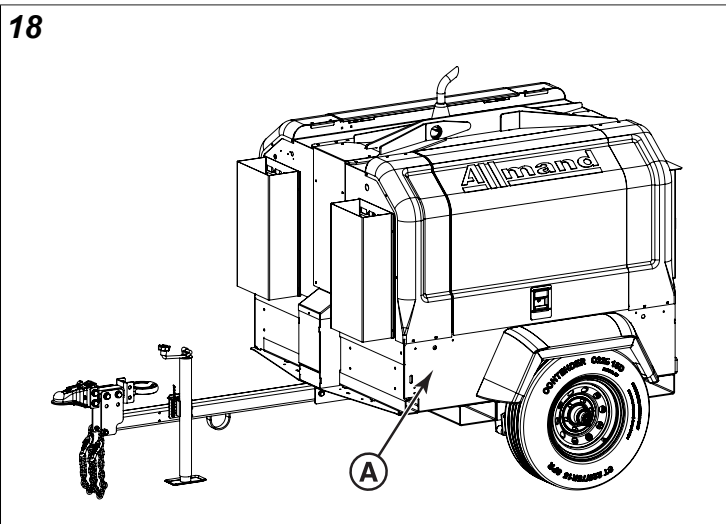
1. Make any repairs necessary to make sure the equipment is fully functional upon recommissioning.
2. Clean and wash the frame and body panels. Apply an anti-corrosion coating to all surfaces where applicable.
3. Clean any oil or liquid spills inside the engine compartment.
4. Drain the fluid containment system.
5. Clean all electrical wiring and components by hand using non-corrosive cleaner.
6. Disconnect and remove the battery.
7. Use a suitable cover to protect the unit.
8. Properly support the trailer axle on jack stands or other suitable supports to allow the tires to remain off the ground during storage.

Models and Serial Numbers

Model and serial number information is required for product support and repair parts. Following are the model and serial number locations of the primary components.

Trailer

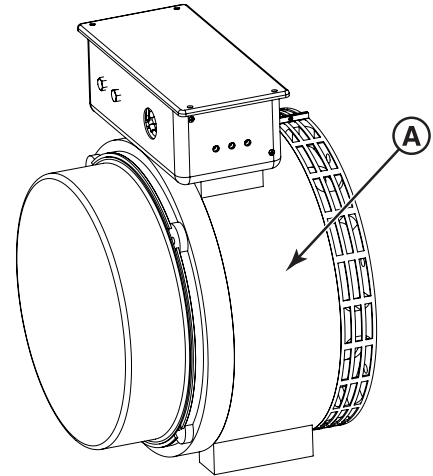
The serial number plate for the trailer is located on the left front side of the unit (A, Figure 18).



Generator

The generator has a serial number plate (A, Figure 19) attached to the side of the housing.

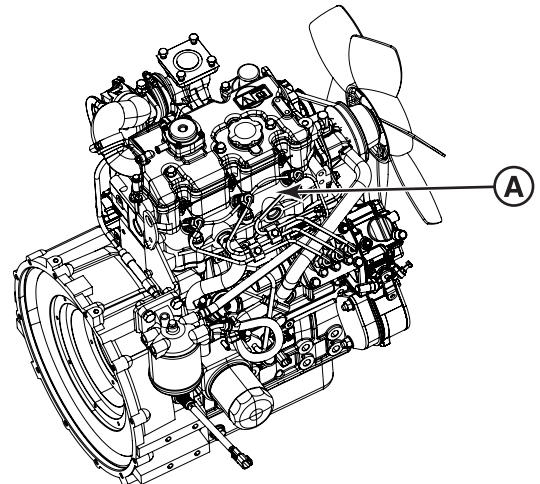
19



Engine

The engine has a serial number plate (A, Figure 20) attached near the top of the engine.

20



Troubleshooting

Before performing any troubleshooting procedures, read **Safety**.

For engine and generator troubleshooting, refer to the Engine Operator's Manual and Generator Operator's Manual, or contact your dealer.

For all other issues, contact your dealer.

Specifications

Overall Dimensions

Dimension	Imperial	Metric
Length	10 ft - 6 in	3,20 m
Width	6 ft - 5 in	1,96 m
Height	6 ft - 2 in	1,86 m
Bottom Clearance	8.5 in	216 mm

Shipping Weight	2500 lbs	1134 kg
Gross Vehicle Weight Rating (GVWR)	5000 lbs	2267 kg

Trailer

Specification	Imperial	Metric
Gross Axle Weight Rating (GAWR)	5000 lbs	2267 kg
Tire Size and Rating	ST225/75R15D Load Range 'D'	
Rims	15 x 6 JJ	
Cold Tire Inflation Pressure	65 psi	448 kPa
Max. On-Road Speed	65 mph	105 km/h
Max Off-Road Speed	20 mph	32 km/h
Fuel Tank	100 US Gallons	378 L
Frame Structure	Formed welded steel design	
Axle	Tubular design	
Hubs	(6) 1/2-20 UNF studs on a 5.5 inch (139,7 mm) bolt circle	
Springs	Elliptical springs - 3 Leafs	
Trailer Road Lighting	Stop, turn, tail, side markers, illuminated license plate bracket	
Trailer Road Light Connector	7-Way RV Connector	
Lifting Eye - Rated Capacity	5000 lbs	2267 kg
Tie-Down Points	2 tie-down slots in rear forklift pocket tube, and 2 tie-down slots at front forklift pocket tube	
Forklift Pockets	2 each side	

Electrical - AC Power

Frequency	60 Hz
Rated Prime Power Output with Cat 1.5T Engine	15.0 kW
Alternator	120 / 240 VAC Automatic Voltage Regulator (AVR)
Phases	1-phase

Engine - General Service Information

CAT TURBO C1.5T		
Specification	Imperial	Metric
Model	Cat C1.5T	
Type	Water-cooled 3-cylinder diesel	
Displacement	91 cu. in.	1491 cc
Aspiration	Turbo-charged	
Emissions	EPA Tier 4 Final / EU Stage IV	
Power Output - Prime	22.3 Hp @1800 rpm	16,6 kWm @1800 rpm
Fuel System	Indirect injection	
Starting Aid	Glow plug	
Engine Alternator	60 A	
Automatic Low Oil Pressure Shutdown	10 psi	69 kPa
Automatic High Water Temperature Shutdown	234° F	112° C

Fuel	North America - diesel fuels that meet ASTM D975 for Ultra Low Sulfur Diesel (ULSD) are required. ULSD has a maximum sulfur content of 15 parts per million (PPM) or 15 mg/kg. Diesel fuel may be No. 1-D or No. 2-D. Refer to Engine Operator's Manual for detailed information.	
Engine Oil	Refer to Engine Operator's Manual for detailed information.	
Engine Oil Capacity - with Filter	7.5 US qts	7,0 L
Coolant System Capacity	6.5 US qts	6,1 L
Coolant Overflow Reservoir Capacity	1.1 US qts	1,0 L
Service Interval - Fuel Filter	500 hours	
Service Interval - Oil Change and Filter	500 hours	

Electrical - DC Power

Number of batteries	1-2
Battery Size	Group 24
Battery Type	Standard - Lead Acid Optional - Absorbed Glass Mat (AGM)
Battery Rating	Standard - 525 CCA @ 0° F (-18° C) Optional - 775 CCA @ 0° F (-18° C)
Engine Electrical System	12 Volt DC

Component Manuals

In addition to this Operator's Manual, be sure to read any component manuals that are included with the machine.

For models equipped with Dexter axle, the operator's manuals can be found online at: <http://www.dexteraxle.com/resources/manuals>.

For electric brake maintenance, choose *Light Duty Electric Brake*.

For hubs, drums, and bearings maintenance, choose *Light Duty Hubs Drums and Bearings*.

For maintenance schedule, choose *Light Duty Maintenance Schedule*.

Productos cubiertos por este manual

Los siguientes productos se cubren en este manual:

Maxi-Power™ MP15XR

Índice de contenidos:

Introducción.....	19
Seguridad.....	19
Características y controles.....	24
Lista de verificación previa a la operación.....	25
Transporte.....	26
Funcionamiento.....	31
Mantenimiento.....	33
Solución de problemas.....	37
La sección.....	37

ADVERTENCIA

Respirar los gases de escape del motor diésel lo expone a sustancias químicas que, de acuerdo con el estado de California, causan cáncer, defectos de nacimiento u otros problemas reproductivos.

- Siempre arranque y haga funcionar el motor en un área bien ventilada.
- Si se encuentra en un área cerrada, oriente el escape hacia el exterior.
- No modifique ni altere el sistema de escape.
- No deje el motor inactivo, a menos que sea necesario.

Para obtener más información, visite www.P65Warnings.ca.gov/diesel.

Introducción

Acerca de este manual

TÓMESE EL TIEMPO PARA LEER ESTE MANUAL MINUCIOSAMENTE

Este manual de instrucciones brinda todas las instrucciones necesarias para Allmand® Maxi-Power™ MP15XR Portable Generator.

La información que encuentre en este manual está vigente a partir del momento de la impresión. Allmand Bros Inc. puede cambiar los contenidos sin previo aviso si se ve en la obligación.

Todas las imágenes de este manual son representativas y pueden diferir de su modelo.

Toda referencia “hacia la derecha” o “hacia la izquierda” que se haga en este manual, deberá determinarse mirando el remolque desde la parte posterior.

Si no está seguro acerca de la información de este manual, comuníquese con el Departamento de Mantenimiento de Allmand al 1-800-562-1373, o bien, comuníquese con nosotros en el sitio web de Allmand, www.allmand.com.

Conserve estas instrucciones originales para futuras consultas.

Seguridad

Definiciones de seguridad

Para su seguridad, la seguridad de otros y para proteger el rendimiento del equipo, siga las precauciones que se indican en todo el manual antes de la operación, durante la operación y durante los procedimientos de mantenimiento periódico.



Indica un posible riesgo para su integridad física.



PELIGRO

Indica un riesgo que, de no evitarse, provocará la muerte o lesiones de gravedad.



ADVERTENCIA

Indica un riesgo que, de no evitarse, podría provocar la muerte o lesiones de gravedad.



PRECAUCIÓN

Indica un riesgo que, de no evitarse, podría provocar lesiones leves o moderadas.

AVISO

Información que se considera importante pero que no está relacionada con un peligro potencial.

Precauciones de seguridad

La siguiente sección contiene precauciones y pautas generales de seguridad que se deben obedecer para reducir el riesgo para la seguridad personal. Las precauciones especiales de seguridad se indican en procedimientos específicos. Lea y comprenda todas las precauciones de seguridad antes de operar o realizar reparaciones o mantenimiento.



PELIGRO

Peligro de electrocución

- Cuando el motor está en funcionamiento, se produce un alto voltaje. Nunca intente realizar mantenimiento a los componentes eléctricos mientras el motor esté en funcionamiento.
- No haga funcionar la unidad si el aislamiento en el cable eléctrico u otro cableado eléctrico presenta cortes o desgaste o bien, si hay cables desnudos expuestos. Repare o reemplace el cableado dañado antes de arrancar el motor.



ADVERTENCIA

Peligro de operación no segura

- Nunca permita que alguien instale u opere el equipo si no cuenta con la capacitación adecuada.
- Lea y comprenda este manual del operador y el Manual del operador del motor, y los manuales de cualquier otro componente, antes de hacer funcionar o dar mantenimiento al equipo, para garantizar que se sigan los procedimientos de mantenimiento y prácticas de operación seguros.
- Las calcomanías y señales de seguridad son recordatorios adicionales de técnicas de mantenimiento y funcionamiento seguras.



ADVERTENCIA

Peligro de caídas

- Nunca transporte pasajeros en el equipo.



ADVERTENCIA

Peligro de modificación

- Nunca modifique el equipo sin el consentimiento por escrito del fabricante. Cualquier modificación podría afectar la operación segura de equipo.



ADVERTENCIA

Peligro de exposición

- Siempre use equipo de protección personal, lo que incluye ropa adecuada, guantes, zapatos de trabajo, protección auditiva y ocular, según lo requiera la tarea en cuestión.



ADVERTENCIA



Riesgo de incendio y explosión

Las baterías emiten gases explosivos durante las recargas. Las chispas podrían causar explosiones y provocar lesiones graves o la muerte.

Peligro de quemaduras

Las baterías contienen ácido, que es extremadamente cáustico. El contacto con el contenido de la batería podría producir quemaduras químicas graves.

Peligro de descarga eléctrica

Las baterías presentan un riesgo de descarga eléctrica y alta corriente de cortocircuito.

- Siempre desconecte el cable negativo (-) de la batería antes de realizar mantenimiento al equipo.
- NO elimine una batería en el fuego. Recicle la batería.
- NO permita que se produzca ninguna llama abierta, chispa o calor, ni encienda un cigarrillo mientras carga la batería o durante varios minutos después de la carga.
- NO abra ni destruya la batería.
- NO cargue la batería si está congelada. Siempre deje que la batería alcance lentamente la temperatura ambiente antes de cargarla.
- Use guantes de protección, así como delantal, botas y guantes de goma.
- Quítese el reloj, los anillos u otros objetos metálicos.
- Use herramientas con mangos aislados.



ADVERTENCIA



Peligro de incendio y explosión

- El combustible diésel es inflamable y explosivo en determinadas condiciones.
- Nunca use un trapo de taller para recoger el combustible.
- Limpie inmediatamente los derrames.
- Nunca recargue el combustible con el motor en funcionamiento.
- Almacene todos los recipientes con combustible en un área bien ventilada, lejos de cualquier fuente de ignición o combustibles.



ADVERTENCIA

Peligro por uso bajo la influencia de alcohol y drogas

- Nunca opere la unidad bajo la influencia del alcohol o las drogas o si se encuentra enfermo.



ADVERTENCIA

Peligro de enredo o corte

- Siempre detenga el motor antes de comenzar el mantenimiento.
- Si se debe realizar mantenimiento al motor mientras está en funcionamiento, quítese todas las joyas, recójase el cabello largo y mantenga las manos, otras partes del cuerpo y la ropa lejos de las piezas móviles o giratorias.
- Verifique que todas las protecciones y cubiertas estén instaladas correctamente en el equipo, antes de arrancar el motor. No arranque el motor si alguna protección o cubierta no está instalada correctamente en el equipo.
- Instale una etiqueta "No operar" junto a la llave de contacto mientras realiza tareas de mantenimiento en el equipo.



ADVERTENCIA

Peligro de objetos expulsados

- Siempre use protección ocular cuando limpie el equipo con aire comprimido o agua a alta presión. El polvo, los desechos expulsados, el aire comprimido, el agua o el vapor presurizados pueden causar lesiones en sus ojos.



ADVERTENCIA

Peligro de contacto con refrigerante

- Use protección ocular y guantes de goma cuando manipule el refrigerante del motor. Si este entra en contacto con los ojos o la piel, enjuague los ojos y lave inmediatamente con agua limpia.



ADVERTENCIA

Peligro de quemaduras

- Abrir la tapa de un radiador caliente podría provocar lesiones graves o la muerte. Deje que el radiador se enfríe antes de abrir la tapa.



ADVERTENCIA

Peligro de quemaduras

- Mantenga las manos y otras partes del cuerpo alejadas de las superficies calientes.
- Maneje los componentes calientes con guantes resistentes al calor.

AVISO

- Se DEBE reemplazar toda pieza que se compruebe que está defectuosa a raíz de una inspección, o cualquier pieza cuyo valor medido no satisfaga la norma o el límite.
- Siempre apriete los componentes con el torque especificada. Las piezas sueltas pueden provocar daños en los equipos o causar que funcionen indebidamente.
- Obedezca las pautas de la Agencia de Protección Ambiental (Environmental Protection Agency, EPA), el Ambiente del Canadá (Environment Canada, EC) u otras agencias gubernamentales para la eliminación adecuada de materiales peligrosos, como aceite de motor, combustible diésel y refrigerante de motor.
- Solo use las piezas de repuesto que se especifican. Otras piezas de repuesto pueden afectar la cobertura de la garantía.
- Limpie toda la suciedad y los residuos acumulados del cuerpo del equipo y sus componentes antes de inspeccionarlo o de realizar procedimientos de mantenimiento preventivo o reparaciones. Operar los equipos con suciedad o residuos acumulados provocará el desgaste prematuro de los componentes del equipo.
- Nunca elimine materiales peligrosos arrojándolos en la alcantarilla, en la tierra o en vías fluviales o aguas subterráneas.
- Saque todas las herramientas o piezas que pueda haber dejado caer en el interior del equipo para evitar un funcionamiento indebido del mismo.
- Si cualquier indicador de alerta se enciende durante el funcionamiento del equipo, detenga el motor inmediatamente. Determine la causa y repare el problema antes de continuar con la operación del equipo.

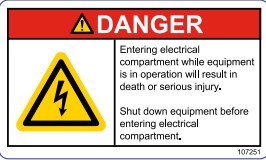



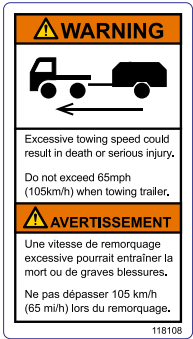
Es una infracción del Código de Recursos Públicos de California, Sección 4442, utilizar u operar el motor en cualquier terreno cubierto por árboles, césped o maleza a menos que el sistema de escape esté equipado con un supresor de chispas, en virtud de la Sección 4442, el cual se mantenga en buenas condiciones de operación. Otros estados o jurisdicciones federales cuentan con leyes similares; consulte la Regulación Federal 36 CFR Sección 261.52.

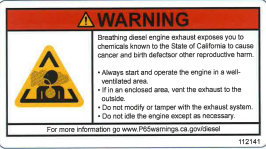
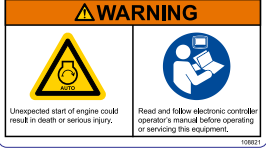

Calcomanías de seguridad

Antes de operar su unidad, lea y comprenda las siguientes calcomanías de seguridad. Las precauciones, advertencias e instrucciones son para su seguridad. Para evitar lesiones corporales o daños a la unidad, comprenda y obedezca todas las calcomanías.

Evite que las calcomanías se ensucien o se rompan, y reemplácelas si se pierden o se dañan. Además, si necesita cambiar las piezas que tienen una calcomanía, asegúrese de pedir la pieza nueva y la calcomanía al mismo tiempo.

Si alguna calcomanía de seguridad o de instrucciones se desgasta o daña y no puede leerse, pida calcomanías de reemplazo a su distribuidor local.

<p>Modelos de EE. UU.</p> <p>PELIGRO: Ingresar en el compartimento eléctrico mientras el equipo está en funcionamiento provocará lesiones graves o la muerte. Apague el equipo antes de ingresar en el compartimento eléctrico.</p> <p>N.º de pieza 107251</p>	
<p>ADVERTENCIA: El contacto con piezas giratorias podría provocar lesiones graves o la muerte. Manténgase alejado de piezas giratorias.</p> <p>N.º de pieza 110295-1</p> <p>ADVERTENCIA: Abrir la tapa de un radiador caliente podría provocar lesiones graves o la muerte. Permita que el radiador se enfríe antes de abrir la tapa.</p> <p>N.º de pieza 110295-2</p>	
<p>ADVERTENCIA: Los materiales humeantes, las llamas descubiertas u otros tipos de ignición cerca de la batería podrían causar una explosión y provocar lesiones graves o la muerte. Mantenga los materiales humeantes, las llamas descubiertas y otros tipos de ignición alejados de la batería.</p> <p>N.º de pieza 110295-3</p> <p>ADVERTENCIA: La exposición a materiales corrosivos podría provocar lesiones graves o la muerte. Use guantes de protección al manipular la batería.</p> <p>N.º de pieza 110295-4</p>	
<p>ADVERTENCIA: Abrir la tapa de un radiador caliente podría provocar lesiones graves o la muerte. Permita que el radiador se enfríe antes de abrir la tapa.</p> <p>N.º de pieza 110296</p>	
<p>ADVERTENCIA: El exceso de velocidad de remolque podría provocar lesiones graves o la muerte. No exceda las 65 mi/h (105 km/h) cuando arraste el remolque.</p> <p>N.º de pieza 118108</p>	

<p>ADVERTENCIA: Respirar los gases de escape del motor diésel lo expone a sustancias químicas que, de acuerdo con el estado de California, causan cáncer, defectos de nacimiento u otros problemas reproductivos. Siempre arranque y haga funcionar el motor en un área bien ventilada. Si se encuentra en un área cerrada, oriente el escape hacia el exterior. No modifique ni altere el sistema de escape. No deje el motor inactivo, a menos que sea necesario. Para obtener más información, visite www.P65warnings.ca.gov/diesel</p> <p>N.º de pieza 112141</p>	
<p>ADVERTENCIA: El escape del motor contiene monóxido de carbono, un gas tóxico que podría causar lesiones graves o la muerte. Opere el equipo lejos de ventanas, puertas y conductos de ventilación. No opere el equipo en interiores o en espacios parcialmente cerrados.</p> <p>N.º de pieza 113940</p>	
<p>ADVERTENCIA: El arranque inesperado del motor puede provocar lesiones graves o la muerte. Lea y siga las instrucciones en el manual del operador del panel de control antes de realizar operaciones o mantenimiento del equipo.</p> <p>N.º de pieza 108821 (modelos LSC y alta mar)</p>	
<p>Modelos que no son de EE. UU.</p>	
<p>PELIGRO: Ingresar en el compartimento eléctrico mientras el equipo está en funcionamiento provocará lesiones graves o la muerte. Apague el equipo antes de ingresar en el compartimento eléctrico.</p> <p>N.º de pieza 104880</p>	

ADVERTENCIA: El contacto con piezas giratorias podría provocar lesiones graves o la muerte. Manténgase alejado de piezas giratorias.

N.º de pieza 110310-1

ADVERTENCIA: Abrir la tapa de un radiador caliente podría provocar lesiones graves o la muerte. Permita que el radiador se enfríe antes de abrir la tapa.

N.º de pieza 110310-2

ADVERTENCIA: Los materiales humeantes, las llamas descubiertas u otros tipos de ignición cerca de la batería podrían causar una explosión y provocar lesiones graves o la muerte. Mantenga los materiales humeantes, las llamas descubiertas y otros tipos de ignición alejados de la batería.

N.º de pieza 110310-3

ADVERTENCIA: La exposición a materiales corrosivos podría provocar lesiones graves o la muerte. Use guantes de protección al manipular la batería.

N.º de pieza 110310-4

ADVERTENCIA: Abrir la tapa de un radiador caliente podría provocar lesiones graves o la muerte. Permita que el radiador se enfríe antes de abrir la tapa.

N.º de pieza 110309

PELIGRO: El escape del motor contiene monóxido de carbono, un gas tóxico que podría causar lesiones graves o la muerte. Opere el equipo lejos de ventanas, puertas y conductos de ventilación. No opere el equipo en interiores o en espacios parcialmente cerrados.

N.º de pieza 113941

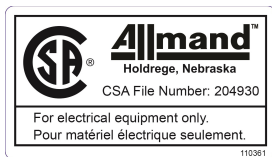
ADVERTENCIA: Arranque automático del motor. El arranque inesperado del motor puede provocar lesiones graves o la muerte. Lea y siga el Manual del operador del panel de control antes de hacer funcionar este equipo o realizarle mantenimiento.

N.º de pieza 107978 (modelos LSC y alta mar)

Modelos canadienses

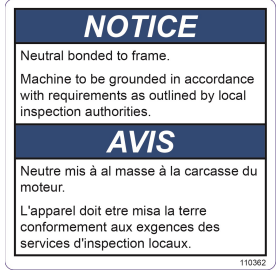
Número de archivo de CSA

N.º de pieza 110361



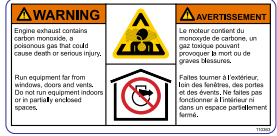
Aviso de puesta a tierra

N.º de pieza 110362



ADVERTENCIA: El escape del motor contiene monóxido de carbono, un gas tóxico que podría causar lesiones graves o la muerte. Opere el equipo lejos de ventanas, puertas y conductos de ventilación. No opere el equipo en interiores o en espacios parcialmente cerrados.

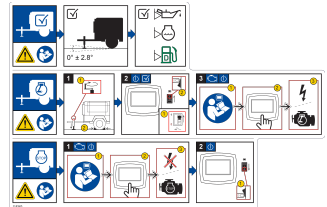
N.º de pieza 110363



Todos los modelos

Instrucciones de operación

N.º de pieza 118363



Iconos de operación

La siguiente tabla contiene iconos de funcionamiento que se pueden encontrar en la unidad, junto con el significado de cada icono.

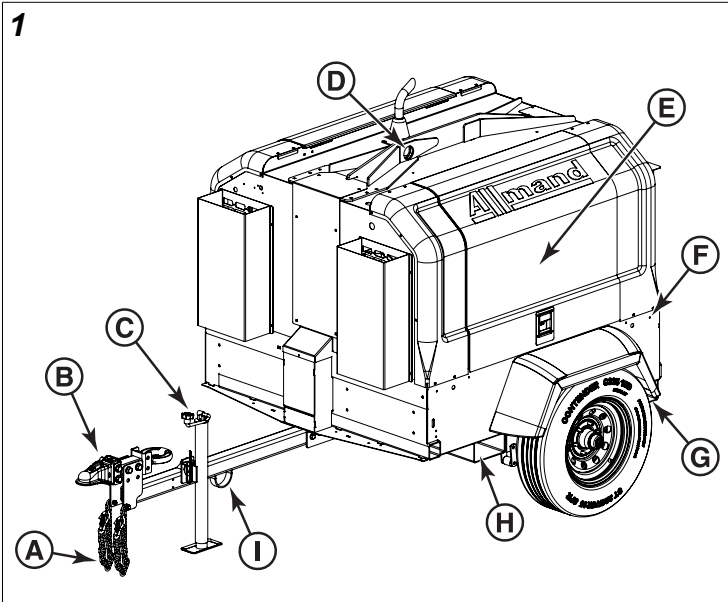
Icono	Significado	Icono	Significado
	Unidad encendida		Luz de trabajo
○	Unidad apagada		Drenaje de aceite del motor
	Detención del motor		Drenaje de refrigerante del motor
	Marcha del motor		Drenaje de contención de líquidos
	Arranque del motor		Disyuntor de circuito
	Pre calentamiento del motor		Disyuntor de desconexión
	Contador horario		Conexión a tierra
	Luz interior del remolque		

Características y controles

El Allmand® Maxi-Power™ MP15XR Portable Generator está diseñado para usarse como un grupo electrógeno estacionario.

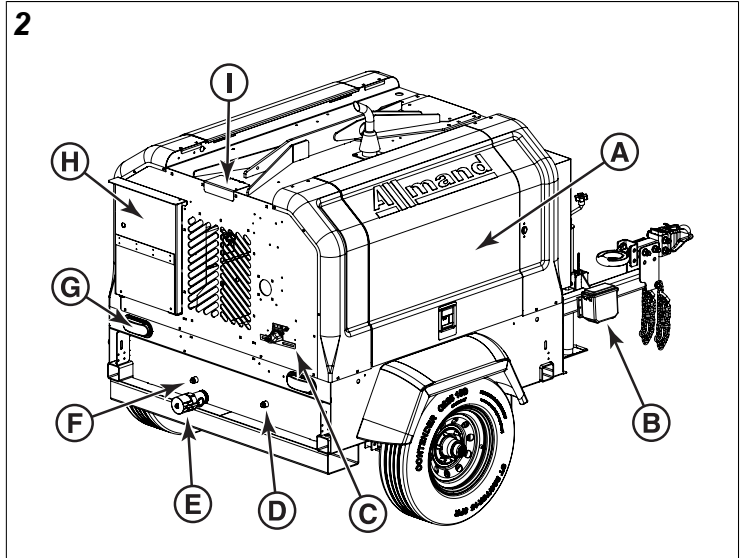
Para identificar las características y controles de la máquina, compare las figuras 1 hasta el 3 y con las tablas que se presentan a continuación. Consulte **Transporte y Operación** para obtener una información detallada de cada característica y control.

Parte frontal



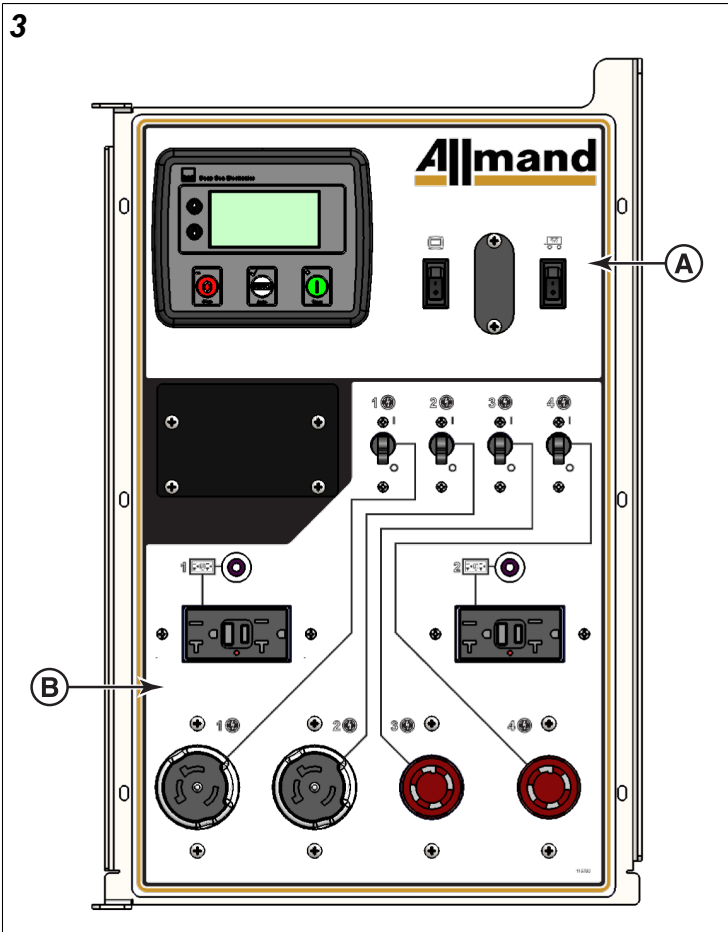
Ref.	Descripción
A	Cadenas de seguridad (2)
B	Acoplador del remolque/argollón de contera
C	Gato de la lengua
D	Cáncamo de elevación
E	Puerta de acceso a compartimiento del motor
F	Lengüeta de conexión a tierra
G	Cavidades posteriores para grúa horquilla/punto de sujeción (cada lado)
H	Cavidades delanteras para grúa horquilla (cada lado)
I	Bucle delantero de sujeción

Trasero



Ref.	Descripción
A	Puerta de acceso a compartimiento del motor
B	Kit de separación
C	Arrastre del remolque de la torre de iluminación
D	Drenaje del aceite del motor
E	Drenaje de contención de líquidos
F	Drenaje de refrigerante del motor
G	Luz trasera (2)
H	Puerta de acceso a panel de control
I	Puerta de acceso del radiador

Panel de control



Ref.	Descripción
A	Panel de motor
B	Panel auxiliar de tomacorrientes

Lista de verificación previa a la operación

Realice los siguientes controles antes de transportar u operar la unidad, así como al realizar un mantenimiento general.



ADVERTENCIA

Peligro de operación no segura

- Operar o transportar la máquina con piezas desgastadas, dañadas o faltantes puede provocar lesiones graves o la muerte. Siempre reemplace oportunamente las piezas faltantes, dañadas o desgastadas. No transporte ni opere la máquina hasta que se hayan reemplazado todas las piezas desgastadas, dañadas o faltantes, y después de que se haya verificado su buen funcionamiento.

Nota:

Se recomienda el uso de repuestos autorizados de Allmand. La garantía no cubre daños ni problemas de rendimiento provocados por el uso de piezas que no sean los repuestos autorizados.

1. Verifique que todas las calcomanías de seguridad y de operación estén presentes y sean legibles. Consulte **Seguridad: calcomanías de seguridad**.
2. Verifique que todos los manuales del operador (del producto, motor, generador, etc.) se encuentren en la unidad.
3. Revise que los siguientes componentes no se encuentren desgastados o dañados y que operen adecuadamente:
 - a. Gato de la lengua de remolque
 - Verifique que no haya corrosión ni daños. Repare o reemplace según sea necesario.
 - Verifique que funcione correctamente. Consulte **Transporte: uso del gato de la lengua**.
 - b. Conjunto de enganche (acoplador del remolque / argollón de contera)
 - Verifique que no haya corrosión ni daños. Repare o reemplace según sea necesario.
 - Verifique que funcione correctamente. Consulte **Transporte: acople y desacople del enganche del remolque**.
 - Verifique que las piezas estén correctamente ajustadas. Ajuste según sea necesario.
 - c. Cadenas de seguridad
 - Verifique que no haya corrosión ni daños. Repare o reemplace según sea necesario.
 - Verifique que las piezas estén correctamente ajustadas. Ajuste según sea necesario.
 - d. Cable de las luces del remolque
 - Verifique que no haya cables cortados, deshilachados o pelados. Repare o reemplace según sea necesario.
 - Verifique que el conector no presente daños. Repare o reemplace según sea necesario.
 - e. Kit de separación
 - Verifique los cables o el cable de separación no estén rotos ni deshilachados.
 - Verifique el estado de carga de la batería.
 - f. Neumáticos
 - Verifique que no presenten desgastes, cortes, rajaduras, etc. Reemplace según sea necesario.
 - Verifique y ajuste la presión de inflado. Consulte **Especificaciones** para conocer la presión de inflado correcta.
 - g. Frenos
 - Verifique que los frenos tengan un funcionamiento correcto y que no presenten desgaste. Es necesario realizar tareas de reparación.
 - h. Eje y bastidor

- Verifique que no haya corrosión ni daños. Es necesario realizar tareas de reparación.

i. Cableado eléctrico

- Verifique que el cableado eléctrico no presente cortes, desgastes, o esté pelado. Es necesario realizar tareas de reparación.



ADVERTENCIA

Peligro de electrocución

- Operar la unidad con el cableado eléctrico cortado, desgastado o pelado podría provocar lesiones graves o la muerte. Repare o reemplace el cableado eléctrico dañado antes de operar la torre de iluminación.

j. Motor

- Verifique que no haya fugas u otros signos de desgaste o daño. Es necesario realizar tareas de reparación.
- Verifique que el filtro de aire esté firmemente instalado y que los sellos y las abrazaderas de la manguera estén correctamente asegurados. Verifique el elemento del filtro de aire. Reemplace las piezas, si es necesario.

4. Verifique los niveles de los líquidos.

a. Aceite del motor

- Consulte el manual del operador del motor para conocer las recomendaciones, la capacidad y los procedimientos del uso del aceite.

AVISO

El funcionamiento del motor sin aceite causará daños al mismo.

b. Refrigerante del motor

- Consulte el manual del operador del motor para conocer las recomendaciones, la capacidad y los procedimientos del uso del líquido refrigerante.

AVISO

El funcionamiento del motor sin refrigerante causará daños al mismo.

c. Combustible

- Consulte **Operación: abastecimiento de combustible de la unidad** para conocer la ubicación del tanque de combustible, la capacidad y los procedimientos de abastecimiento.

Transporte



ADVERTENCIA

Peligro de operación no segura

- Operar el equipo sin tener la capacitación adecuada puede provocar lesiones graves o la muerte. Nunca permita que una persona opere el equipo si no cuenta con la capacitación adecuada.

Antes de transportar, lea **Seguridad**.

Preparación para la entrega en el lugar de trabajo

Prepare la unidad para su entrega en el lugar de trabajo, en especial si ha permanecido almacenada o ha estado inactiva durante un período de tiempo.



ADVERTENCIA

Peligro de operación no segura

- Operar o transportar una máquina con piezas faltantes, dañadas o desgastadas puede provocar lesiones graves o la muerte. Siempre reemplace oportunamente las piezas faltantes, dañadas o desgastadas. No opere ni transporte esta máquina hasta que se hayan reemplazado todas las piezas faltantes, dañadas o desgastadas y después de que se haya verificado su correcto funcionamiento.

1. Realice todas las verificaciones previas a la operación. Consulte la **Listade verificación previa a la operación**.
2. Haga funcionar el motor completando un ciclo de arranque y apagado para verificar su funcionamiento. Consulte **Operación: operación del motor**. También consulte el Manual del operador del motor.

Preparación para el transporte

1. Apague el motor. Consulte **Operación: operación del motor**. También consulte el Manual del operador del motor
2. Cierre y bloquee todas las puertas de acceso.

Remolque

La velocidad máxima en carretera es de 65 mph (105 km/h). La velocidad máxima fuera de carretera es de 20 mph (32 km/h). No exceda estos límites de velocidad.



ADVERTENCIA

Peligro de operación no segura

- El exceso de velocidad al transportar el remolque a más de 65 mph (105 km/h) en carretera puede provocar lesiones graves o la muerte. No arrastre el remolque a más de 65 mph (105 km/h) en carretera.

Vehículo remolcador / requisitos de enganche

1. Revise la clasificación de peso bruto del vehículo (GVWR) del remolque. Consulte **Especificaciones**.
2. Revise la clasificación de capacidad de remolque del vehículo de remolque y del enganche. Ambas capacidades deben cumplir o exceder el GVWR del remolque.

Nota: Revise el manual del propietario del vehículo y el manual del propietario del enganche para conocer las capacidades de remolque.



ADVERTENCIA

Peligro de remolque

- Usar un vehículo remolcador o un enganche con una capacidad de remolque inferior al GVWR del remolque podría causar lesiones graves o la muerte. Use solo un vehículo remolcador o un enganche con una capacidad de remolque que cumpla o exceda el GVWR del remolque.

Controle el tipo de enganche del vehículo remolcador

El remolque está diseñado para los siguientes tipos de enganche disponibles de vehículos remolcadores:

- Enganche de bola de 2 pulg
- Enganche de clavija
- Enganche de bola 2-5/16 pulg
- Enganche bulldog 2 pulg

Asegúrese de que el vehículo remolcador esté equipado con alguno de estos tipos de enganche. Instalar si es necesario.



ADVERTENCIA

Peligro de operación no segura

- No usar un enganche de vehículo remolcador que concuerde con el conjunto de enganche del remolcador puede provocar lesiones graves o la muerte. Use solo un enganche de vehículo remolcador que concuerde con el conjunto de enganche del remolcador.

Inversión del conjunto de enganche del remolque

El conjunto de enganche del remolque es reversible. Use el acoplador del remolque (A, Figura 4) para enganches de bola o el argollón de contera (B) para enganches de clavija. Para invertir el conjunto de enganche del remolque:

1. Quite las piezas de montaje (C, Figura 4).
2. Invierta el conjunto de enganche del remolque.

Nota: Use el juego de orificios de montaje en la lengua del remolque. Esto mantendrá el remolque lo más nivelado posible cuando esté conectado a un vehículo de remolque.

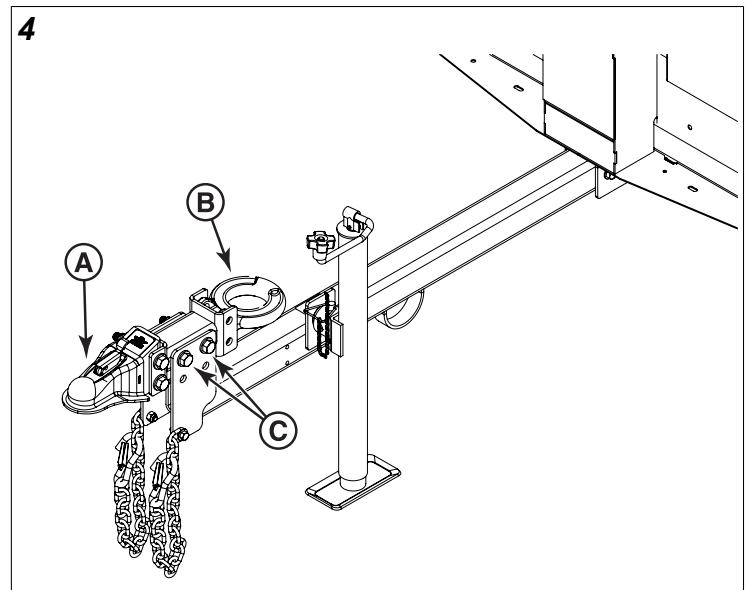
3. Vuelva a colocar las piezas. Apriete firmemente.



ADVERTENCIA

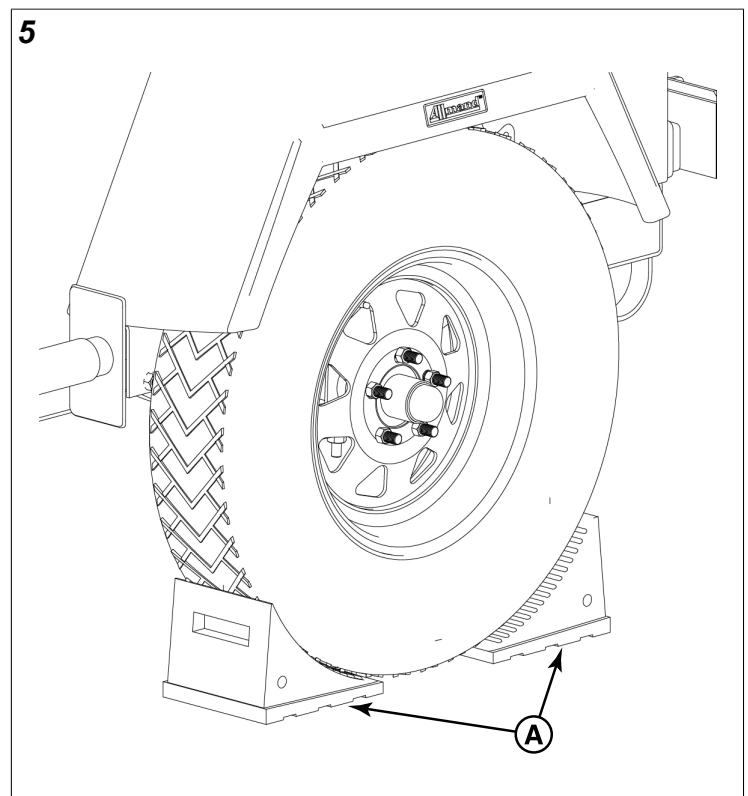
Peligro de operación no segura

- No instalar apropiadamente el conjunto de enganche del remolque puede ocasionar lesiones graves o la muerte. Instale debidamente el conjunto de enganche del remolque y ajuste firmemente las piezas.



Conecte el remolque al vehículo remolcador

1. Coloque cuñas para las ruedas (no suministradas) firmemente contra la parte delantera y posterior de la rueda (A, Figura 5) en cada lado del remolque.



2. Para levantar la lengua del remolque, utilice el gato de la lengua. Consulte **Transporte: uso del gato de la lengua**.
3. Ubique el enganche del vehículo remolcador debajo del enganche del remolque.
4. Acople el enganche del remolque al enganche del vehículo remolcador. Consulte **Transporte: acople y desacople del enganche del remolque**.
5. Conecte las cadenas de seguridad.

ADVERTENCIA

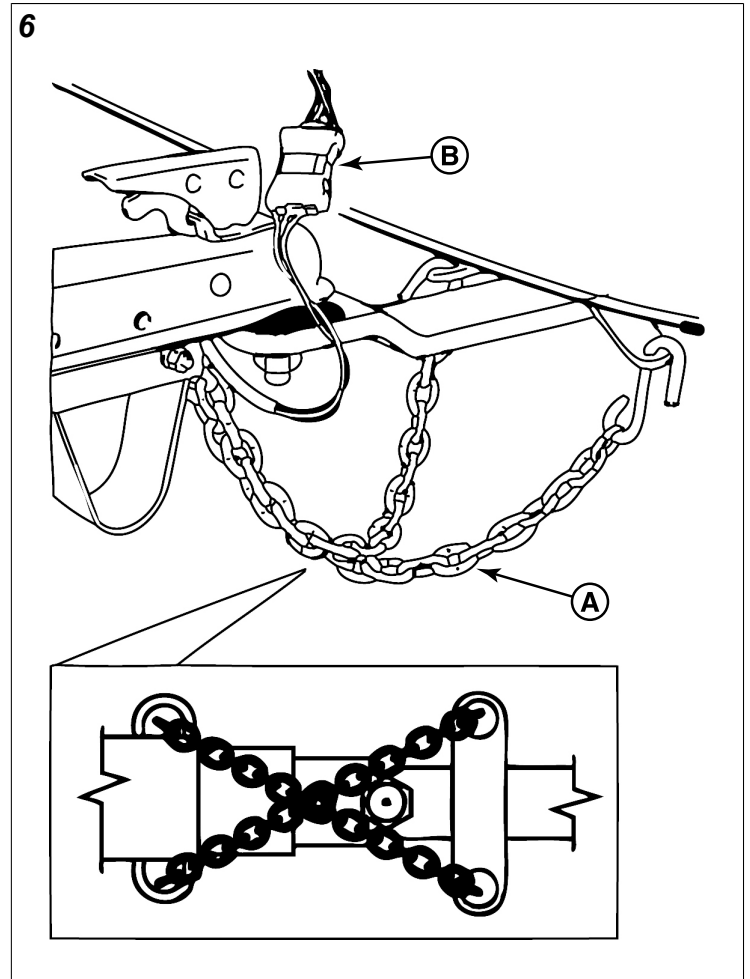
Peligro de operación no segura

- No instalar apropiadamente las cadenas de seguridad puede ocasionar lesiones graves o la muerte. Siempre instale apropiadamente las cadenas de seguridad.
 - a. Conecte las cadenas de seguridad (A, Figura 6) a las cavidades de la cadena de seguridad del vehículo remolcador. Entrecruce las cadenas debajo del enganche para que quede apoyado en caso de que ocurra una desconexión.
 - b. Monte las cadenas lo más ajustadas posible pero con suficiente holgura como para permitir un viraje libre.
6. Conecte el cable de iluminación del remolque.
 - a. Compruebe que el cable de iluminación del remolque coincida con el cable de iluminación del vehículo remolcador. De ser necesario, instale el cable apropiado y/o el conector al vehículo remolcador.
 - b. Conecte el cable de iluminación del remolque al cable de iluminación del vehículo remolcador (B, Figura 6).
 - c. Asegúrese de que la holgura sea adecuada para permitir virar sin que el cable se arrastre por el suelo.
 - d. Revise que las luces del remolque funcionen correctamente.

ADVERTENCIA

Peligro de operación no segura

- Una falla en el funcionamiento de las luces del remolque puede provocar lesiones graves o la muerte. Siempre revise que las luces del remolque funcionen correctamente, y repare o reemplace según sea necesario.



7. Retracción del gato de la lengua. Consulte **Transporte: uso del gato de la lengua**.
8. Retire las cuñas las ruedas.

Ahora el remolque está listo para remolcar.

Para desconectar el remolque del vehículo remolcador

1. Acuña las ruedas.
2. Extienda el gato de la lengua. Consulte **Transporte: uso del gato de la lengua**.
3. Desconecte el cable de iluminación del remolque del cable de iluminación del vehículo remolcador.
4. Quite las cadenas de seguridad de las cavidades del vehículo remolcador.
5. Desacople el enganche del remolque del enganche del vehículo remolcador. Consulte **Transporte: acople y desacople del enganche del remolque**.
6. Aleje el vehículo remolcador de la unidad.

Operación del gato de la lengua

La unidad está equipada con un gato de la lengua para elevar y bajar la lengua del remolque y para nivelarlo de adelante hacia atrás.

Para extender el gato de la lengua

1. Retire el perno de bloqueo (A, Figura 7).

2. Gire el gato de la lengua 90° hasta la posición de funcionamiento (B, Figura 7). Instale el perno de bloqueo del gato (C).



ADVERTENCIA

Peligro de operación no segura

- No instalar el perno de bloqueo del gato puede provocar lesiones graves o la muerte. Asegúrese de bloquear el gato de la lengua en la posición de funcionamiento con el perno de bloqueo del gato.

3. Despliegue la manija del gato hasta la posición de funcionamiento (D, Figura 7).

Para bajar la pata del gato (levantar la lengua del remolque)

- Gire la manija del gato en sentido contrario a las manecillas del reloj (E, Figura 7) para bajar la pata del gato (F) y levantar la lengua del remolque.

Para levantar la pata del gato (bajar la lengua del remolque)

- Gire la manija del gato en el sentido de las agujas del reloj (G, Figura 7) para levantar la pata del gato (H) y bajar la lengua del remolque.

Para retraer el gato de la lengua

1. Asegúrese de que el remolque esté firmemente apoyado por el vehículo de remolque u otro medio aprobado.

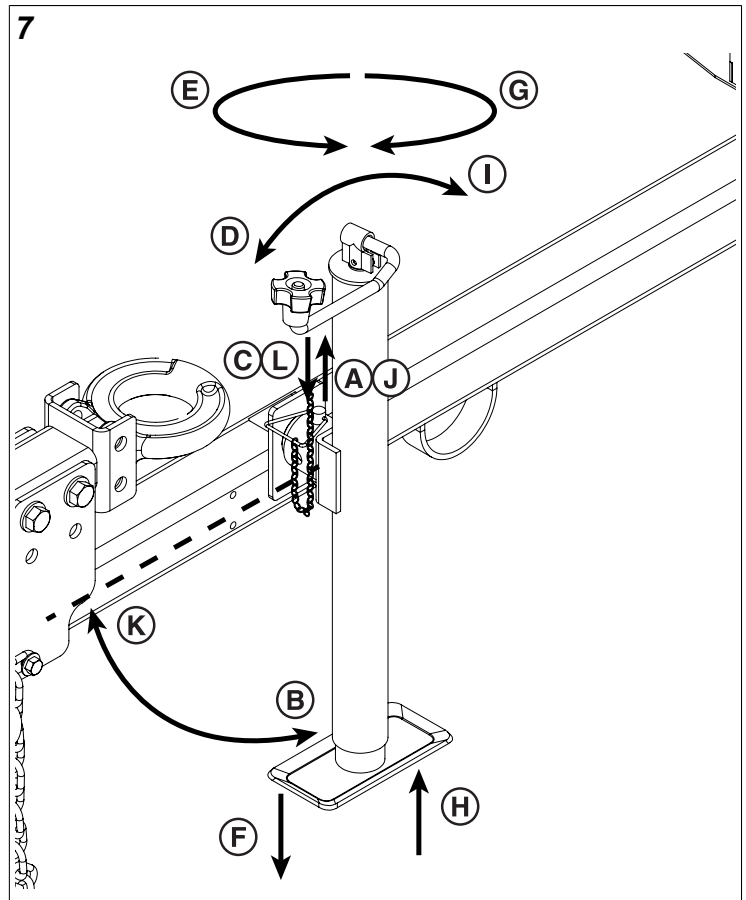


ADVERTENCIA

Peligro de operación no segura

- No afirmar la lengua del remolque antes de retraer el gato de la lengua podría provocar lesiones graves o la muerte. Asegúrese de que la lengua del remolque esté firmemente apoyada antes de retraer el gato de la lengua.

2. Eleve completamente la pata del gato.
3. Pliegue la manija del gato hasta la posición de transporte (I, Figura 7).
4. Retire el perno de bloqueo del gato (J, Figura 7).
5. Gire el gato de la lengua 90° hasta la posición de transporte (K, Figura 7). Instale el perno de bloqueo del gato (L).



Acople y desacople del enganche del remolque

Acople del remolque (para los enganches de bola)

Para acoplar al enganche de bola del vehículo remolcador

1. Tire del gatillo de bloqueo (A, Figura 8), y levante la palanca de bloqueo (B, se muestra levantada).
2. Use el gato de la lengua para bajar el encastre de acoplamiento del remolque (C, Figura 8) por completo sobre la bola del enganche (F). Consulte **Transporte: uso del gato de la lengua**.
3. Ajuste la abrazadera de acoplamiento (D, Figura 8) usando la tuerca de ajuste (E). Para apretar la tuerca de ajuste, gírela en el sentido horario, y para soltarla, gírela en el sentido contrario a las agujas del reloj. El ajuste adecuado se obtiene cuando el acoplador está lo más apretado posible en la bola y la palanca de bloqueo aún se puede abrir y cerrar.



ADVERTENCIA

Peligro de operación no segura

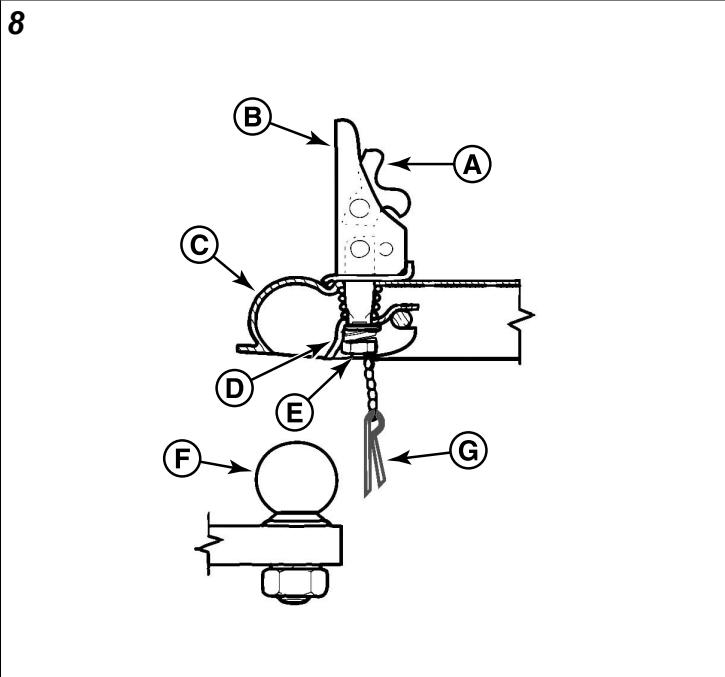
- No ajustar apropiadamente la abrazadera de acoplamiento puede provocar lesiones graves o la muerte. Ajuste la abrazadera de acoplamiento y verifique que esté ajustada con frecuencia.
4. Empuje la palanca de bloqueo hacia abajo hasta la posición de bloqueo. Inserte el pasador de bloqueo (G,

Figura 8) en el orificio de la palanca de bloqueo, o bien, use un candado para mayor seguridad.

5. Compruebe que el acoplador esté firmemente conectado al enganche de bola.

Para desacoplar

1. Retire el pasador de bloqueo (o el candado, si se usó) del orificio en la palanca de bloqueo.
2. Tire del gatillo de bloqueo y levante la palanca de bloqueo.
3. Use el gato de la lengua para elevar el acoplador del remolque hasta quitar del enganche de bola. Consulte **Transporte: uso del gato de la lengua**.



Argollón de contera (para enganches de clavijas)

Para acoplar al enganche de clavijas del vehículo remolcador

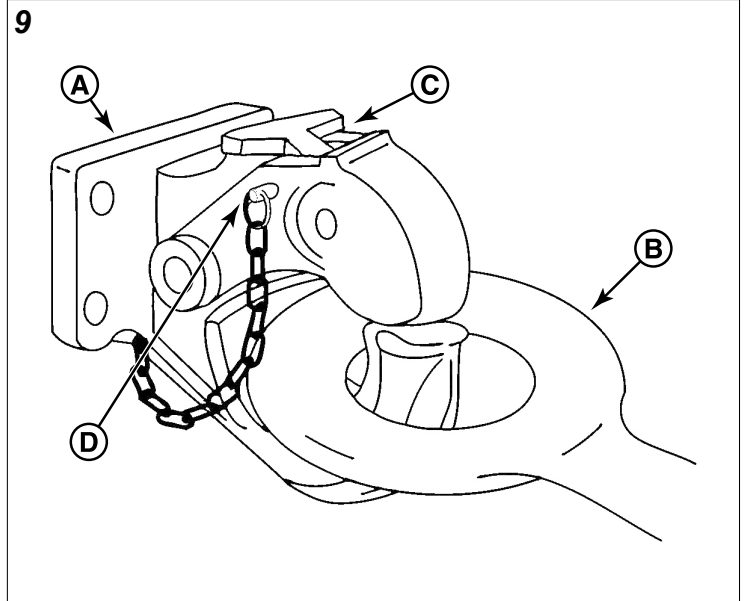
1. Abra el pasador de bloqueo (C, Figura 9) del enganche de clavijas del vehículo remolcador (A).

Nota: Se muestra un enganche de clavijas estándar; los diseños pueden variar.

2. Use el gato de la lengua para bajar el argollón de contera (B, Figura 9) en el gancho del enganche de clavijas. Consulte **Transporte: uso del gato de la lengua**.
3. Cierre el pasador de bloqueo. Inserte el perno de bloqueo (D, Figura 9) en el orificio del pasador de bloqueo.

Para desacoplar

1. Retire el perno de bloqueo del orificio del pasador de bloqueo.
2. Abra el pasador de bloqueo.
3. Use el gato de la lengua para elevar el argollón de contera hasta quitar del gancho del enganche de clavijas. Consulte **Transporte: uso del gato de la lengua**.



Elevación

Requerimientos para la elevación de equipos

- Use solo equipos de elevación aprobados con una capacidad de elevación nominal que exceda la GVWR de la unidad. Consulte **Especificaciones**.



ADVERTENCIA

Peligro de operación no segura

- No usar equipos de elevación aprobados con una capacidad de elevación nominal que exceda la GVWR puede provocar lesiones graves o la muerte. Use solo equipos de elevación aprobados con una capacidad de elevación nominal que exceda la GVWR de la unidad.

Puntos de elevación

- Cáncamo de elevación: (A, Figura 10) Solo use grilletes o un gancho tipo bloqueo cuando utilice el cáncamo.
- Cavidades para grúa horquilla: (B, Figura 10) Use paletas de grúa horquilla de al menos 60 pulg (152 cm) de largo cuando eleve la unidad. Inserte las hojas de la grúa horquilla por completo en las cavidades.



ADVERTENCIA

Peligro de operación no segura

- No usar los puntos de elevación designados para elevar la unidad puede provocar lesiones graves o la muerte. Use solo los puntos de elevación designados para elevar la unidad.

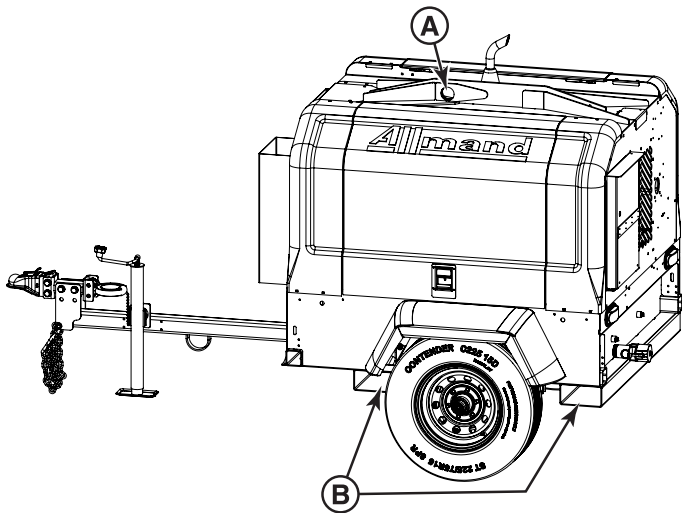


ADVERTENCIA

Peligro de aplastamiento

- Permanecer debajo o cerca de la unidad cuando se está elevando puede provocar lesiones graves o la muerte. Nunca permanezca debajo o cerca de la unidad cuando se está elevando.

10



Transporte en un remolque

Para asegurar la unidad a un remolque se usan tres puntos de sujeción, ubicados en la parte inferior trasera del remolque (cavidades para grúa horquilla en el lado izquierdo y derecho) y el lado inferior de la lengua del remolque (A, Figura 11).

Nota: Todos los modelos tienen las ubicaciones de los puntos de sujeción similares.



ADVERTENCIA

Peligro de operación no segura

- No usar los puntos de fijación designados para asegurar la unidad al remolque puede provocar lesiones graves o la muerte. Siempre use los puntos de fijación designados para asegurar la unidad al remolque.

1. Asegure la unidad en los puntos de fijación con las cadenas o correas adecuadas.

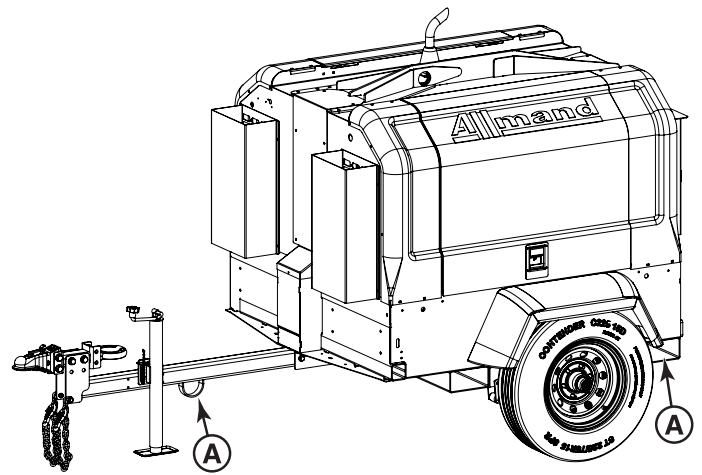


ADVERTENCIA

Peligro de operación no segura

- No usar cadenas o correas que sean adecuadas para asegurar la unidad al remolque puede provocar lesiones graves o la muerte. Siempre use cadenas o correas adecuadas para asegurar la unidad al remolque.
2. No aplique una fuerza superior a 600 lb (272 kg) a las cadenas o correas.
 3. El operador del camión es responsable de fijar correctamente la carga al remolque de transporte.

11



Funcionamiento

Antes de poner en funcionamiento, lea **Seguridad**.

Elección del lugar de trabajo

1. Obedezca las normas o regulaciones provinciales, estatales y federales, así como las normas o instrucciones del lugar de trabajo.
2. Considere lo siguiente al elegir el lugar de trabajo:

Superficie del suelo

- Instale sobre superficies con terrenos sólidos, planos y uniformes únicamente.
- No instale en una superficie inclinada de más de 2,8° (5 % de grado), desde la parte delantera a la trasera y de lado a lado.



ADVERTENCIA

Peligro de vuelco

- Instalar la unidad sobre superficies con terrenos blandos e inestables, o con inclinaciones de más de 2,8° (5 % de grado) puede provocar lesiones graves o la muerte. Instale la unidad sobre superficies con terrenos sólidos, planos y uniformes y con inclinaciones de no más de 2,8° (5 % de grado).

Ajuste de la unidad

1. Posicione la unidad en el lugar de trabajo. Consulte **Operación: Elección del lugar de trabajo**.
2. Acuñe las ruedas. Consulte **Transporte: Remolque**.
3. Si la unidad fue remolcada al lugar de trabajo, desconéctela del vehículo remolcador. Consulte **Transporte: Remolque**.
4. Nivele el remolque con el gato de la lengua. Consulte **Transporte: uso del gato de la lengua**.
5. La unidad está ahora instalada y lista para comenzar a operar.

Abastecimiento de combustible de la unidad

Para el abastecimiento

- Abra la puerta de acceso al compartimento del motor para acceder al tanque o tanques de combustible.
- Abra la(s) tapa(s) de llenado.
- Agregue el combustible que sea necesario. Consulte el Manual del operador del motor para conocer las recomendaciones sobre el combustible. Consulte **Especificaciones** para conocer la capacidad de combustible.

AVISO

Solo combustible diésel. Usar gasolina podría dañar el motor.

AVISO

No se permite el abastecimiento de combustible presurizado.

Cómo operar la unidad

Antes de poner en funcionamiento

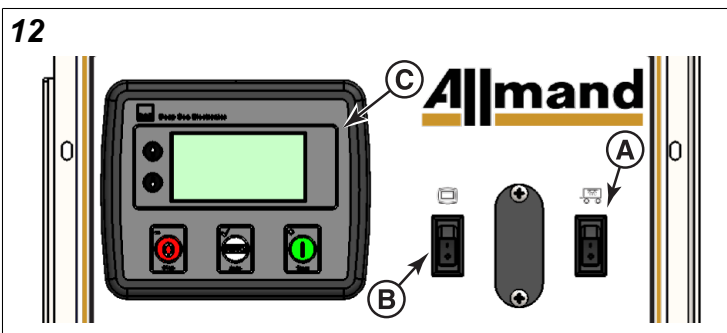
1. Realice verificaciones previas a la operación. Ver **Lista de verificación previa a la operación**.
2. Asegúrese de que la unidad esté correctamente instalada en el lugar de trabajo. Consulte **Operación: ajuste de la unidad**.

Operación del motor

Para arrancar el motor

Modelos de alta mar

1. Gire el interruptor de alta mar a la posición ENCENDIDO (C, Figura 12).
2. Consulte el manual aparte para la operación de la unidad (D, Figura 12).



A	Luces interiores: encienda la luces dentro del compartimento del motor
B	Interruptor de modo de alta mar
C	Unidad de alta mar

Para apagar el motor

Modelos de alta mar

1. Consulte el manual de la unidad Deep Sea para ver los procedimientos de apagado de Deep Sea.

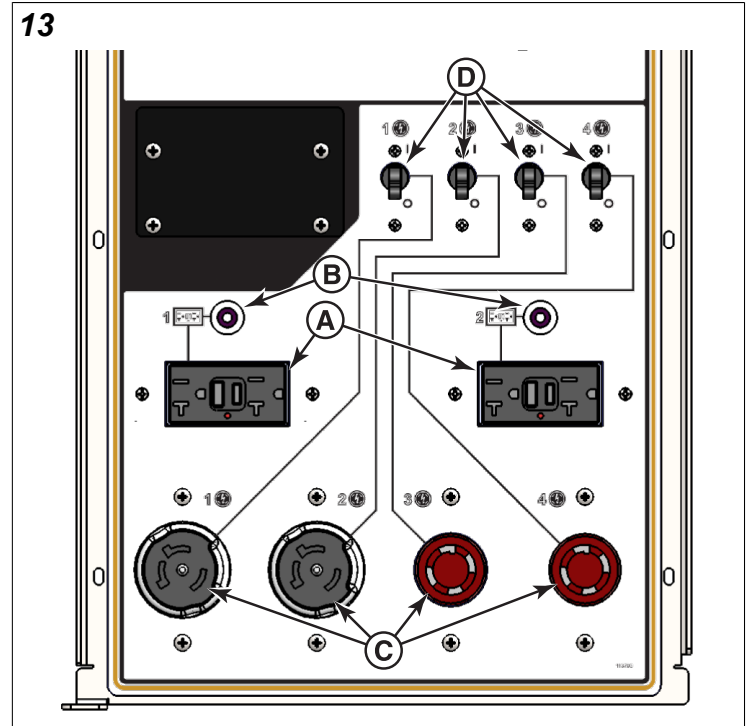
2. Gire el interruptor de modo Deep Sea a APAGADO.

Apagado automático del motor

El motor está equipado con un sistema de apagado automático del motor para evitar daños excesivos al mismo en caso de baja presión de aceite o alta temperatura del refrigerante. Consulte el Manual del operador del motor para obtener información adicional.

Tomacorrientes auxiliares de AC

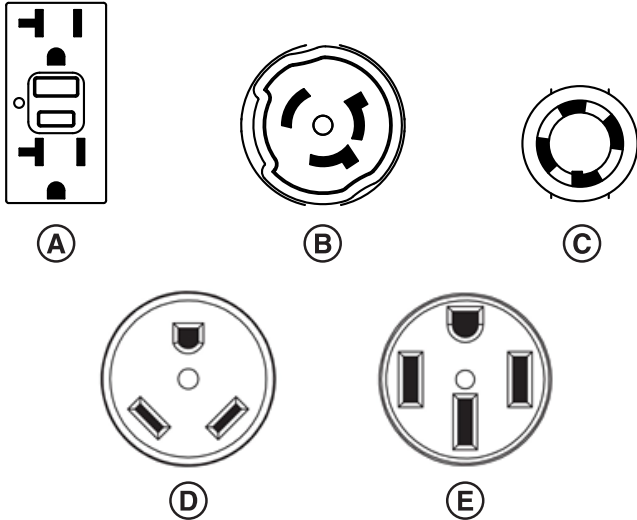
Las unidades vienen equipadas con una variedad de tomacorrientes auxiliares CA. Consulte Figura 13 y la siguiente tabla.



A	Tomacorrientes 120V GFCI	Las salidas proporcionan una alimentación de 120 V protegida por un interruptor diferencial (GFCI)
B	Botones de restablecimiento GFCI	Restablece los tomacorrientes de GFCI
C	Tomacorrientes auxiliares	Varios tomacorrientes auxiliares
D	Disyuntores de tomacorrientes auxiliares	Enciende y apaga los tomacorrientes auxiliares

Consulte la Figura 14 y la siguiente tabla para ver los tipos de tomacorrientes disponibles.

14



A	NEMA 5-20R dúplex, GFCI de 20 amperios, 120 voltios, 2 polos, 3 cables
B	Tomacorriente CS6369 de 50 amperios, 120/240 voltios, tripolar y 4 cables
C	NEMA L14-30R bloqueo giratorio de 30 amperios, 120/240 voltios, 3 polos, 4 cables
D	NEMA TT-30R de 30 amperios, 120 voltios, 2 polos, 3 cables
E	NEMA L14-50R de 50 amperios, 120/240 voltios, 3 polos, 4 cables

La alimentación hacia los tomacorrientes se suministra cuando el motor está en funcionamiento y el disyuntor principal está ENCENDIDO.

Cada tomacorriente está protegido con un disyuntor especializado. Si el disyuntor se dispara:

1. Desconecte la carga desde el tomacorriente.
2. Apague el motor.
3. Espere 10 minutos para que el generador se enfríe.
4. Corrija el problema de carga.
5. Arranque el motor.
6. Restablezca el disyuntor.

Nota: Asegúrese de revisar también el disyuntor GFCI en el tomacorriente GFCI y restablézcalo si es necesario.

7. Vuelva a conectar la carga.
8. Si el problema persiste, consulte **T Solución de problemas**.

Apagado de la unidad

1. Apague el motor. Consulte **Operación: operación del motor**.
2. Ahora la unidad está lista para transportarla. Consulte **Transporte**.

Mantenimiento

Antes de realizar cualquier procedimiento de mantenimiento, lea **Seguridad**.

Los procedimientos de mantenimiento programados son necesarios para una operación segura y efectiva de la unidad. Bajo condiciones extremas (de mucho polvo, calor o frío extremo, etc.), se deben realizar procedimientos de mantenimiento más frecuentes.



ADVERTENCIA

Peligro de operación no segura

- Operar o transportar una máquina con piezas faltantes, dañadas o desgastadas podría provocar lesiones graves o la muerte. Reemplace oportunamente las piezas faltantes, dañadas o desgastadas. No opere ni transporte esta máquina hasta que se hayan reemplazado todas las piezas faltantes, dañadas o desgastadas y después de que se haya verificado su buen funcionamiento.

General

Use la lista de verificación previa a la operación como guía general de mantenimiento. Ver **Lista de verificación previa a la operación**.

Motor

Mantenimiento general del motor

Consulte el Manual del operador del motor para conocer todos los procedimientos de mantenimiento programado del motor (lo que incluye aceite, refrigerante, filtros, etc.).

Drenaje del aceite del motor

La unidad está equipada con un drenaje remoto del líquido refrigerante del motor (B, Figura 15).

Para drenar el aceite del motor:

1. Coloque un recipiente aprobado bajo el drenaje de aceite.
2. Retire el tapón de drenaje de aceite o abra la válvula de drenaje de aceite, según el modelo.
3. Deje que el aceite del motor se drene por completo en el recipiente aprobado. Asegúrese de eliminar el aceite del motor usado, de acuerdo con las normas locales, estatales, provinciales o federales.
4. Reemplace el tapón de drenaje de aceite o cierre la válvula de drenaje de aceite.
5. Agregue aceite al motor. Consulte las Especificaciones o el Manual del operador del motor para conocer las recomendaciones y la capacidad de aceite.

AVISO

No agregarle aceite al motor provocará daños al mismo.

Drenaje de refrigerante del motor

La unidad está equipada con un drenaje remoto del líquido refrigerante del motor (B, Figura 15).

Para drenar el líquido refrigerante del motor:

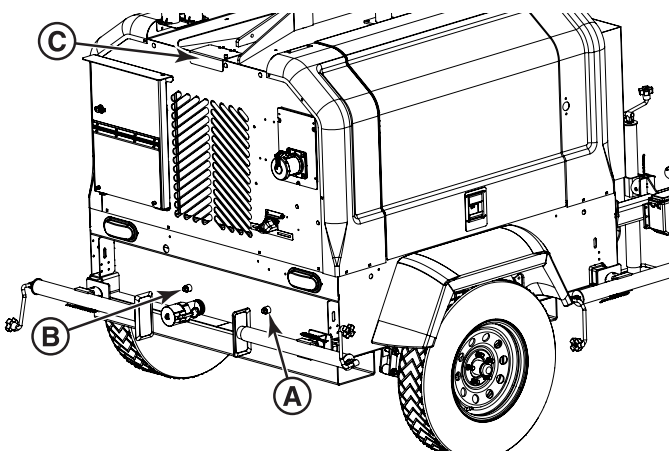
1. Coloque un recipiente aprobado bajo el drenaje de líquido refrigerante.

2. Retire el tapón de drenaje de líquido refrigerante o abra la válvula de drenaje de líquido refrigerante, según el modelo.
3. Permita que el líquido refrigerante del motor se drene por completo en el recipiente aprobado. Asegúrese de eliminar el líquido refrigerante de motor usado de acuerdo con los reglamentos locales, estatales, provinciales o federales.
4. Reemplace el tapón de drenaje de líquido refrigerante o cierre la válvula de drenaje de líquido refrigerante.
5. La unidad está equipada con un drenaje remoto del líquido refrigerante del motor (B, Figura 15). Consulte el Manual del operador del motor para conocer las recomendaciones y la capacidad de líquido refrigerante.

AVISO

No agregarle líquido refrigerante al motor provocará daños al mismo.

15



Sistema eléctrico

Generador

Consulte el Manual del operador del generador para obtener información acerca de todos los procedimientos de mantenimiento programado del generador.

Remolque

Armazón

1. Revise que el acoplador del remolque funcione correctamente, y controle si presenta corrosión o está dañado. Reemplace según sea necesario.
2. Inspeccione si los paneles de la carrocería y el armazón del remolque presentan óxido, mellas y picaduras. Utilice la pintura para retoques correcta para retocar las mellas y rayas. Comuníquese con su distribuidor para obtener información adicional.
3. Inspeccione si el eje, los muelles y el bastidor presentan desgaste y daños. Reemplace según sea necesario.
4. Inspeccione si las barras del balancín, los gatos del estabilizador delanteros y posteriores, y los mecanismos

de bloqueo presentan desgaste y daños y verifique que funcionen bien. Reemplace según sea necesario.

5. Inspeccione las cadenas de seguridad en busca de daños por desgaste y corrosión. Reemplace según sea necesario.
6. Revise el juego de separación para comprobar si presenta daños. Compruebe que la batería esté cargado correctamente. Revise el cableado para comprobar si presenta desgaste o deshilachado. Inspeccione el cable de separación para comprobar si presenta desgaste o daño. Repare o reemplace según sea necesario.

Puntos de engrase

1. Use grasa de lubricación de cojinetes antifricción para alta temperatura con consistencia N.G.L.I. N.º 2, para todos los puntos mecánicos de giro del remolque.

Ruedas y neumáticos del remolque

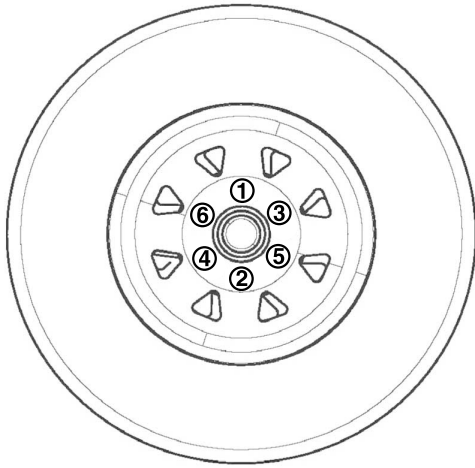


ADVERTENCIA

Peligro de remolque

- Arrastrar el remolque con los neumáticos, tuercas de orejeta o llantas dañadas puede provocar lesiones graves o la muerte. Nunca arrastre el remolque con tuercas de orejeta, llantas y neumáticos dañados.
1. Compruebe si los neumáticos presentan rajaduras, cortes o daños. Repare o reemplace los neumáticos dañados antes de remolcar.
 2. Revise la presión de aire de los neumáticos del remolque cuando estén fríos. Consulte **Especificaciones**.
 3. Compruebe si las llantas de las ruedas presentan rajaduras o daños.
 4. Revise los frenos para asegurarse de que funcionen correctamente.
 5. Asegúrese de que todas las tuercas de orejeta estén en su lugar. Nunca mueva el remolque si faltan tuercas de orejeta o si estas no están bien apretadas.
 6. Revise que las tuercas de orejeta estén bien apretadas. El torque correcto para las tuercas de orejeta es 90 lb/pies (122 Nm).
 7. Cuando apriete las tuercas de orejeta, siempre utilice un patrón entrecruzado (Figura 16).

16



Cojinetes de las ruedas

Consulte el manual del eje para ver información sobre el mantenimiento de los cojinetes de las ruedas y otros componentes del eje.

Iluminación del remolque



ADVERTENCIA

Peligro de remolque

- Nunca arrastre el remolque si las luces de este último no funcionan. Las luces son una característica de seguridad fundamental de su remolque, y también son elementos obligatorios que exigen las leyes estatales. Mantenga las luces en buenas condiciones de funcionamiento.
1. Compruebe si las luces del remolque y el arnés presentan daños o desgaste. Repare o reemplace según sea necesario.
 2. Asegúrese de que el arnés esté fijado al remolque y que no cuelgue sobre el suelo.
 3. Compruebe si los conjuntos de carcasa de las luces traseras presentan daños o filtraciones. Utilice un sellador de goma o silicona para sellar la lente o el arnés, según se requiera, o bien, reemplace el conjunto de carcasa. La grasa eléctrica ayuda a proteger los portalámparas y evitar la corrosión.
 4. Cuando reemplace las bombillas, asegúrese de utilizar las bombillas correctas y utilice una pequeña cantidad de grasa eléctrica en los portalámparas evitar su corrosión.
 5. Para obtener información acerca del esquema de cableado del remolque, consulte el Manual de esquema del cable.

Limpieza



ADVERTENCIA

Peligro de enredo

No apagar el motor antes de la limpieza de la unidad podría provocar lesiones graves o la muerte. Siempre apague el motor antes de limpiar la unidad.



ADVERTENCIA

Peligro de quemaduras

Apague el motor y deje que pase suficiente tiempo para que los componentes se enfríen antes de limpiar la unidad. De lo contrario, se podrían provocar quemaduras graves.

AVISO

Tenga precaución al usar lavadoras de vapor/agua a presión o de aire comprimido. No limpie a presión los componentes eléctricos, ya que esto puede dañarlos.

Mantener la unidad limpia es importante para garantizar un buen funcionamiento. La acumulación de polvo y suciedad actúa como un aislante y puede provocar que el motor y el generador operen a temperaturas excesivamente altas.

Use las siguientes indicaciones como pautas de limpieza:

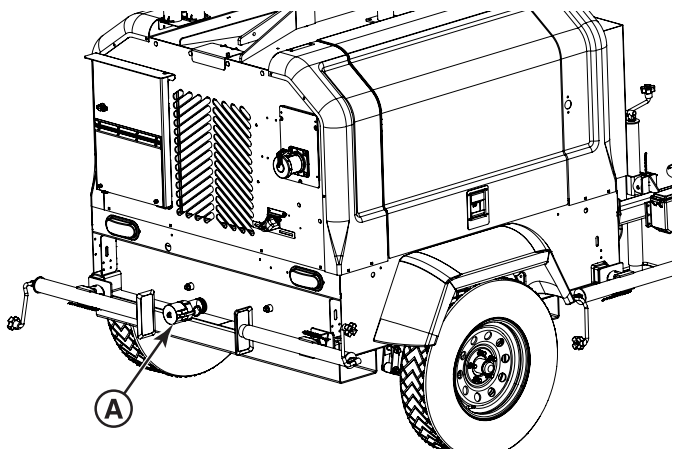
1. Limpie el remolque y elimine todo el polvo, la suciedad y cualquier material extraño.
2. Limpie todos los componentes y el cableado eléctrico manualmente con un limpiador no corrosivo.
3. Limpie el interior del compartimiento del motor.
4. Limpie todos los derrames de aceite o líquido en el interior del compartimiento del motor.
5. Vacíe la bandeja de contención de líquido.
Consulte **Drenaje de la bandeja de contención de líquido**.

Sistema de contención de líquidos

La unidad contiene un sistema de contención de líquidos diseñado para recolectar derrames de combustible, aceite y refrigerante. Para drenar:

1. Coloque un recipiente adecuado debajo del drenaje de contención de líquidos (A, Figura 17)
2. Retire el tapón de drenaje.
3. Permita que el líquido se drene por completo en el recipiente.
4. Vuelva a instalar el tapón de drenaje.
5. Deseche el líquido apropiadamente conforme a las pautas gubernamentales.

17



Almacenamiento durante períodos prolongados

Se requiere de un mantenimiento adecuado cuando la unidad se vaya a almacenar o sacar de funcionamiento durante períodos prolongados.

Consulte el manual del operador del motor y el manual del operador del generador para ver todos los procedimientos de almacenamiento a largo plazo del motor y generador.

1. Realice todas las reparaciones necesarias para garantizar que el equipo esté completamente funcional cuando se realice la nueva puesta en servicio.
2. Limpie y lave el armazón y los paneles de la carrocería. Aplique una capa de anticorrosivo en todas las superficies donde corresponda.
3. Limpie todos los derrames de aceite o líquido en el interior del compartimiento del motor.
4. Drene el sistema de contención de fluido.
5. Limpie todos los componentes y el cableado eléctrico manualmente con un limpiador no corrosivo.
6. Desconecte y retire la batería.
7. Utilice una cubierta adecuada para proteger la unidad.
8. Apoye correctamente el eje del remolque sobre soportes regulables u otras bases adecuadas, para permitir que los neumáticos permanezcan despegados del suelo durante el almacenamiento.

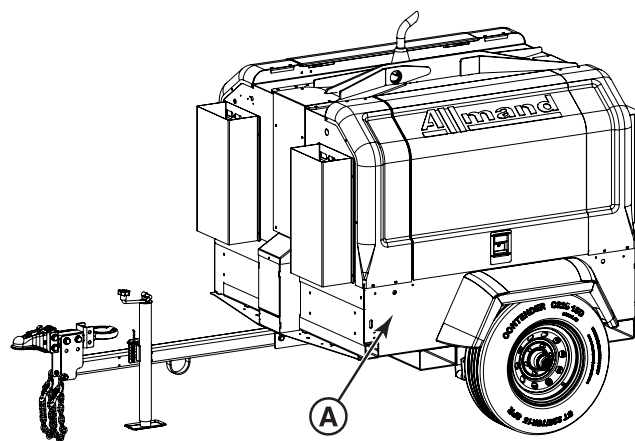
Modelos y números de serie

La información de modelo y número de serie es necesaria para el soporte de productos y las piezas de reparación. A continuación, se muestran las ubicaciones del modelo y el número de serie de los componentes principales.

de iluminación

La placa de número de serie del remolque se encuentra en el lado delantero izquierdo de la unidad (A, Figura 18).

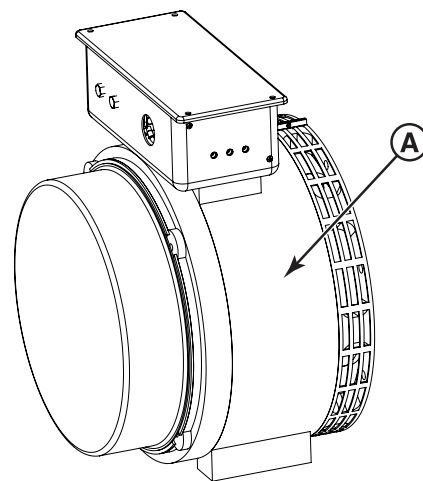
18



Generador

El generador tiene una placa de número de serie (A, Figura 19) adjunta al lado de la carcasa.

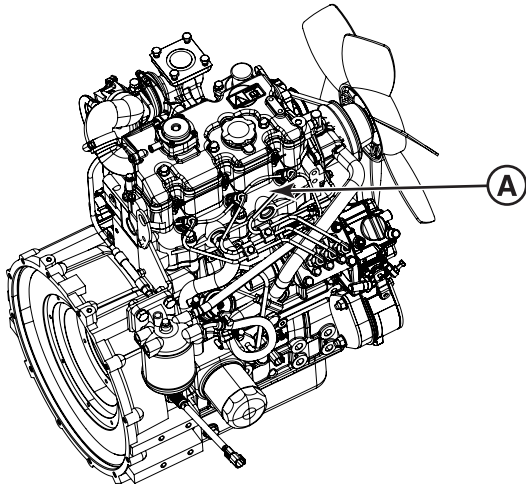
19



Motor

El motor tiene una placa de número de serie (A, Figura 20) adjunta cerca de la parte superior del motor.

20



Solución de problemas

Antes de realizar cualquier procedimiento de solución de problemas, consulte **Seguridad**.

En el caso de solución de problemas del motor y generador, consulte el Manual del operador del motor y el Manual del operador del generador o bien, comuníquese con su distribuidor.

Para todos los demás problemas, comuníquese con su distribuidor.

La sección

Dimensiones generales

Dimensiones	Imperial	Métrico
Largo	10 pies, 6 pulg	3,20 m
Ancho	6 pies, 5 pulg	1,96 m
Altura	6 pies - 2 pulg	1.86 m
Luz inferior	8,5 pulg	216 mm
Peso con embalaje	2500 lbs	1134 kg
Clasificación de peso bruto del vehículo (GVWR)	5000 lb	2267 kg

de iluminación

Especificación	Imperial	Métrico
Clasificación de peso bruto del eje (GAWR)	5000 lb	2267 kg
Tamaño y clasificación de neumáticos	ST225/75R15D Rango de carga "D"	
Llantas	15 x 6 JJ	
Presión de inflado de neumáticos en frío	65 psi	448 kPa
Máx. Velocidad en pista	65 mph	105 km/h
Velocidad máxima fuera de carretera	20 mi/h	32 km/h
Tanque de combustible	100 galones estadounidenses	378 l
Estructura del armazón	Diseño de acero conformado en frío	

Eje	Diseño tubular	
Cubos	(6) pernos sin cabeza UNF de 1/2-20 en un círculo de perno de 5,5 pulg (139,7 mm)	
Resortes	Resortes elípticos: 3 láminas	
Luces del remolque para carretera	Luces de detención, de viraje, traseras, marcadoras laterales y de soporte para placa de licencia	
Conector de luces de carretera del remolque	Conector RV de 7 clavijas	
Cáncamo de elevación: capacidad nominal	5000 lb	2267 kg
Puntos de sujeción	2 ranuras de sujeción en el tubo de la cavidad para grúa horquilla trasera y 2 ranuras de sujeción en el tubo de la cavidad para grúa horquilla delantera	
Cavidades para grúa horquilla	2 de cada lado	

Eléctrico: potencia CA

Frecuencia	60 Hz
Potencia de salida nominal de cebado con el motor Cat 1.5T	15,0 kW
Alternador	Regulador de tensión automático (AVR) de 120/240 V CA
Fases	Monofásico

Motor: información general de mantenimiento

CAT TURBO C1.5T		
Especificación	Imperial	Métrico
Modelo	Cat C1.5T	
Tipo	Diésel, de 3 cilindros, enfriado por agua	
Desplazamiento	91 pulg cúbicas	1491 cc
Aspiración	Turbocargado	
Emisiones	Tier 4 Final de la EPA/Fase IV de la UE	
Potencia de salida: cebado	22,3 Hp a 1800 rpm	16,6 kW a 1800 rpm
Sistema de combustible	Inyección indirecta	
Asistente de arranque	Bujía precalentadora	
Alternador del Motor	60 A	
Apagado automático por baja presión del aceite	10 psi	69 kPa
Apagado automático por temperatura alta del agua	234 °F	112 °C
Combustible	En Norteamérica, se exigen combustibles diésel que cumplan con la norma ASTM D975 para diésel ultra bajo en azufre (ULSD). El ULSD tiene un contenido máximo de azufre de 15 partes por millón (PPM) o 15 mg/kg. El combustible diésel puede ser n.º 1-D o n.º 2-D. Consulte el Manual del operador del motor para obtener información detallada.	
Aceite del motor	Consulte el Manual del operador del motor para obtener información detallada.	
Capacidad del aceite del motor: con filtro	7,5 cuartos de galón	7,0 l
Capacidad del sistema de refrigerante	6,5 cuartos de galón estadounidenses	6,1 l

Capacidad del depósito de desborde de refrigerante	1,1 qt	1,0 l
Intervalo de mantenimiento: filtro de combustible	500 horas	
Intervalo de mantenimiento: cambio de aceite y el filtro	500 horas	

Eléctrico: energía CC

Cantidad de baterías	1-2
Tamaño de la batería	Grupo 24
Tipo de batería	Estándar: ácido-plomo Opcional (separador de fibra de vidrio absorbente [AGM])
Clasificación de la batería	Estándar: 525 CCA a 0 °F (-18 °C) Opcional: 775 CCA a 0 °F (-18 °C)
Sistema eléctrico del motor	12 V CC

Manuales de componentes

Además de este Manual del operador, asegúrese de leer los manuales de los componentes que se incluyen con la máquina.

Para consultar los modelos equipados con el eje Dexter, los manuales del operador pueden encontrarse en línea en <http://www.dexteraxle.com/resources/manuals>.

Para consultar el mantenimiento del freno eléctrico, elija el *freno eléctrico de trabajo liviano*.

Para consultar el mantenimiento de los cubos, tambores y cojinetes, elija los *cubos, tambores y cojinetes de trabajo liviano*.

Para consultar el cronograma de mantenimiento, elija el *cronograma de mantenimiento de trabajo liviano*.

Produits couverts par le présent manuel

Les produits suivants sont couverts par le présent manuel :

Maxi-Power™ MP15XR

Table des matières:

Introduction.....	39
Sécurité.....	39
Caractéristiques et commandes.....	44
Liste de vérification avant utilisation.....	45
Transport.....	46
Fonctionnement.....	51
Entretien.....	53
Dépannage.....	56
pour l'huile hydraulique.....	56



AVERTISSEMENT

L'inspiration de gaz d'échappement du moteur vous expose à des produits chimiques connus selon l'État de Californie pour causer le cancer, des anomalies congénitales ou d'autres effets nuisibles à la reproduction.

- Toujours démarrer et faire fonctionner le moteur dans un endroit bien ventilé.
- Si le moteur est utilisé dans un espace confiné, ventiler les gaz d'échappement à l'extérieur.
- Ne pas modifier ni altérer le système d'échappement.
- Ne pas mettre le moteur au ralenti sauf en cas de nécessité.

Pour obtenir de plus amples renseignements, consultez le site www.P65Warnings.ca.gov/diesel.

Introduction

À propos de ce manuel

PRENEZ LE TEMPS DE LIRE ATTENTIVEMENT CE MANUEL

Ce manuel fournit les instructions nécessaires pour Allmand® Maxi-Power™ MP15XR Portable Generator.

L'information dans ce manuel est en vigueur au moment de l'impression. Allmand Bros Inc. peut changer le contenu sans préavis ni obligation.

Les images contenues dans ce manuel sont offertes aux fins d'illustration seulement et peuvent être différentes de votre modèle.

Toute référence dans ce manuel au côté droit et au côté gauche se détermine en regardant la remorque à partir de l'arrière.

Si vous êtes incertain de toute information contenue dans le manuel, contacter le service à la clientèle d'Allmand au 1-800-562-1373, ou nous contacter par l'entremise de notre site Web à www.allmand.com.

Conservez ces instructions originales comme référence future.

Sécurité

Définitions sur la sécurité

Pour votre sécurité et celle des autres, en plus de protéger la performance de l'équipement, suivre les précautions énumérées dans le manuel avant l'utilisation, pendant l'utilisation et pendant les procédures d'entretien périodiques.



Le symbole d'alerte de sécurité indique un risque de blessure corporelle.



DANGER

Indique une situation dangereuse qui, si non évitée, causera la mort ou des blessures graves.



AVERTISSEMENT

Indique une situation dangereuse qui, si non évitée, pourrait causer la mort ou des blessures graves.



ATTENTION

Indique une situation dangereuse qui, si non évitée, pourrait causer des blessures mineures ou modérées.

AVIS

Informations considérées comme importantes, mais pas liées à des risques.

Mesures de sécurité

La section suivante contient des mesures et des directives de sécurité générales qui doivent être obéies afin de réduire tout risque à la sécurité personnelle. Des mesures de sécurité particulières sont listées dans certaines procédures pertinentes. Lire et comprendre toutes les mesures de sécurité avant de faire fonctionner ou d'effectuer des réparations ou de l'entretien.



DANGER

Risque d'électrocution

- Une haute tension est présente lorsque le moteur est en marche. Ne jamais tenter d'effectuer l'entretien des composants électriques lorsque le moteur est en marche.
- Ne pas utiliser l'appareil si l'isolation sur le cordon électrique ou tout autre câblage électrique est coupée, usée ou mise à nu. Réparer ou remplacer le câblage endommagé avant de démarrer le moteur.



AVERTISSEMENT

Risque de fonctionnement non sécuritaire

- Ne jamais laisser quiconque installer ou faire fonctionner l'équipement sans formation adéquate.
- Lire et comprendre ce manuel d'utilisation, le manuel d'utilisation du moteur et tout autre manuel des composants avant d'utiliser ou d'entretenir l'équipement afin de s'assurer que les pratiques exemplaires de sécurité et les procédures d'entretien sont suivies.
- Les enseignes et les autocollants de sécurité sont des rappels d'utiliser des techniques d'utilisation et d'entretien sûres.



AVERTISSEMENT

Risque de chute

- Ne jamais transporter des passagers sur l'équipement.



AVERTISSEMENT

Risque lié aux modifications

- Ne jamais modifier l'équipement sans le consentement écrit du fabricant. Toute modification pourrait affecter le fonctionnement sécuritaire de l'équipement.



AVERTISSEMENT

Risque d'exposition

- Toujours porter de l'équipement de protection individuelle, incluant les vêtements appropriés, les gants, chaussures de travail, et une protection des yeux et de l'ouïe, selon ce qui est exigé par la tâche à effectuer.



AVERTISSEMENT



Risque d'incendie et d'explosion

Les batteries dégagent des gaz explosifs pendant le chargement. Des étincelles pourraient causer des explosions, entraînant la mort ou des blessures graves.

Risque de brûlure

Les batteries contiennent de l'acide, qui est très caustique. Tout contact avec les composants de la batterie peut causer de graves brûlures chimiques.

Risque de choc électrique

Les batteries présentent un risque de décharge électrique et de haute tension lors d'un court-circuit.

- Toujours débrancher le câble négatif (-) de la batterie avant d'effectuer le service de l'équipement.
- NE PAS jeter la batterie au feu. Recycler la batterie.
- NE PAS permettre de flamme nue, d'étincelle, de chaleur, de tison de cigarette au cours et plusieurs minutes après le chargement de la batterie.
- NE PAS tenter d'ouvrir ou de mutiler la batterie.
- NE PAS charger une batterie gelée. Toujours réchauffer lentement la batterie à la température ambiante avant de la charger.
- Porter des gants de protection ainsi qu'un tablier, des bottes et des gants en caoutchouc.
- Enlever vos montres, bagues et autres objets métalliques.
- Utiliser des outils dont les poignées sont isolées.



AVERTISSEMENT



Risque d'incendie et d'explosion

- Le carburant diesel est inflammable et explosif sous certaines conditions.
- Ne jamais utiliser un chiffon industriel pour ramasser le carburant.
- Essuyer immédiatement tout déversement.
- Ne jamais faire le plein si le moteur est en marche.
- Ranger tous les contenants qui contiennent du carburant dans un endroit bien ventilé, loin de tout combustible et de toute source d'allumage.



AVERTISSEMENT

Risque lié à l'alcool et aux drogues

- Ne pas utiliser l'appareil sous l'emprise de l'alcool ou de drogues, ou en étant malade.



AVERTISSEMENT

Risque d'emmêlement/de rupture

- Toujours arrêter le moteur avant de commencer un entretien.
- Si le moteur doit être réparé pendant qu'il tourne, retirer tous les bijoux, attacher les cheveux longs et garder les mains, toute partie du corps et tout vêtement éloigné des pièces mobiles et rotatives.
- S'assurer que tous les protecteurs et les couvercles sont fixés correctement à l'équipement avant de démarrer le moteur. Ne pas démarrer le moteur si les protecteurs et les couvercles ne sont pas installés correctement sur l'équipement.
- Attacher l'étiquette « Ne pas faire fonctionner » près de la clé l'interrupteur de contact pendant l'entretien d'un équipement.



AVERTISSEMENT

Risque lié aux objets propulsés

- Toujours porter une protection des yeux lors du nettoyage de l'équipement avec de l'air comprimé ou de l'eau à haute pression. La poussière, les débris propulsés, l'air comprimé, l'eau ou la vapeur à haute pression peuvent endommager vos yeux.



AVERTISSEMENT

Risque lié au liquide de refroidissement

- Porter une protection des yeux et des gants en caoutchouc lors de la manipulation du liquide de refroidissement du moteur. Si un contact avec les yeux ou la peau se produit, rincer les yeux et laver immédiatement avec de l'eau propre.



AVERTISSEMENT

Risque de brûlure

- L'ouverture du bouchon sur un radiateur chaud pourrait provoquer la mort ou des blessures graves. Laisser le radiateur refroidir avant de dévisser le bouchon.



AVERTISSEMENT

Danger de brûlure

- Garder les mains et les autres parties du corps loin des surfaces chaudes.
- Manipuler les composants chauds avec des gants résistants à la chaleur.

AVIS

- Toute pièce déclarée défectueuse à la suite d'une inspection ou toute pièce dont la valeur mesurée ne satisfait pas à la norme ou à la limite DOIT être remplacée.
- Toujours serrer les composants au couple indiqué. Les pièces desserrées peuvent causer des dommages à l'équipement et le faire fonctionner incorrectement.
- Suivre les directives d'Environmental Protection Agency (EPA), Environnement Canada (Environnement Canada, EC) ou d'autres agences gouvernementales pour l'élimination appropriée des matières dangereuses comme l'huile à moteur, le carburant diesel et le liquide de refroidissement du moteur.
- Utiliser uniquement les pièces de rechange indiquées. D'autres pièces de rechange peuvent affecter la couverture de garantie.
- Éliminer toute saleté et tout débris accumulé dans la carrosserie de l'équipement et de ses composants avant d'inspecter l'équipement ou d'effectuer un entretien ou des réparations. Faire fonctionner l'équipement avec de la saleté et des débris accumulés causera une usure prématurée des composants de l'équipement.
- Ne jamais disposer des matières dangereuses en les jetant dans un égout, sur le sol, ou dans les eaux souterraines ou les voies d'eau.
- Récupérer tous outils et toutes les pièces qui peuvent être tombés à l'intérieur de l'équipement pour éviter le mauvais fonctionnement de ce dernier.
- Si un témoin s'allume pendant l'utilisation de l'équipement, arrêter immédiatement le moteur. Déterminer la cause et réparer le problème avant de continuer à faire fonctionner l'équipement.

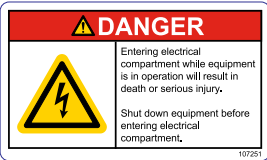


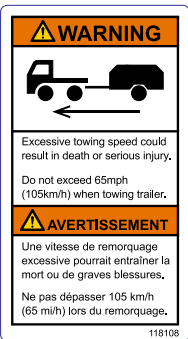
L'utilisation ou le fonctionnement du moteur sur des terrains forestiers, broussailleux ou herbeux constitue une violation de la Section 4442 du Code des ressources publiques de Californie (California Public Resource Code), à moins que le système d'échappement ne soit équipé d'un pare-étincelles, comme le définit la section 4442, maintenu en bon état de marche. D'autres États ou juridictions fédérales peuvent avoir des lois similaires; consulter le Règlement fédéral 36 CFR, section 261.52.

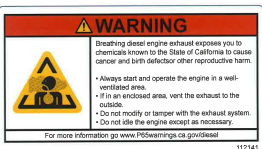

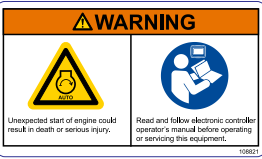
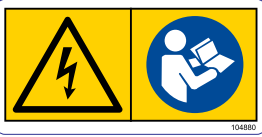
Autocollants de sécurité

Avant de faire fonctionner votre appareil, veuillez lire et comprendre les autocollants de sécurité suivants. Les mises en garde, les avertissements et les directives sont là pour votre sécurité. Pour éviter des blessures corporelles ou des dommages à l'appareil, il faut comprendre et suivre tous les autocollants.

Empêcher les autocollants de devenir sales ou de se déchirer et les remplacer s'ils sont perdus ou endommagés. De plus, si une pièce ayant un autocollant a besoin d'être remplacée, veiller à commander la nouvelle pièce et l'autocollant en même temps.

Si un autocollant de sécurité ou de directive est usé ou endommagé et n'est plus lisible, commander des autocollants de remplacement auprès de votre concessionnaire.

<p>Modèles américains</p> <p>DANGER – Le fait d'entrer dans le compartiment électrique tandis que l'équipement est utilisé peut entraîner la mort ou des blessures graves. Éteindre l'équipement avant d'entrer dans le compartiment électrique.</p> <p>N° de pièce 107251</p>	
<p>AVERTISSEMENT - Le contact avec des pièces en mouvement pourrait entraîner de graves blessures, voire la mort. Se tenir à l'écart des pièces en mouvement.</p> <p>N° de pièce 110295-1</p>	
<p>AVERTISSEMENT – L'ouverture du couvercle sur un radiateur chaud pourrait entraîner la mort ou des blessures graves. Laisser le radiateur se refroidir avant d'ouvrir le couvercle.</p> <p>N° de pièce 110295-2</p>	
<p>AVERTISSEMENT - Les articles de fumeur, les flammes nues ou d'autres formes d'allumage près de la batterie pourraient causer une explosion, causant la mort ou des blessures graves. Garder les articles de fumeur, les flammes nues, et autres formes d'ignition loin de la batterie.</p> <p>N° de pièce 110295-3</p>	
<p>AVERTISSEMENT – Toute exposition à des produits corrosifs pourrait entraîner la mort ou des blessures graves. Porter des gants de protection en manipulant la batterie.</p> <p>N° de pièce 110295-4</p>	
<p>AVERTISSEMENT – L'ouverture du couvercle sur un radiateur chaud pourrait entraîner la mort ou des blessures graves. Laisser le radiateur se refroidir avant d'ouvrir le couvercle.</p> <p>N° de pièce 110296</p>	
<p>AVERTISSEMENT – Une vitesse de remorquage excessive pourrait entraîner la mort ou de graves blessures. Ne pas dépasser 65 mi/h (105 km/h) lors du remorquage.</p> <p>N° de pièce 118108</p>	

<p>AVERTISSEMENT - L'inspiration de gaz d'échappement du moteur vous expose à des produits chimiques connus selon l'État de Californie pour causer le cancer, des anomalies congénitales ou d'autres effets nuisibles à la reproduction. Toujours démarrer et faire fonctionner le moteur dans un endroit bien ventilé. Si le moteur est utilisé dans un espace fermé, ventiler les gaz d'échappement à l'extérieur. Ne pas modifier ni altérer le système d'échappement. Ne pas laisser le moteur tourner au ralenti sauf s'il le faut. Pour obtenir de plus amples renseignements, visitez www.P65warnings.ca.gov/diesel</p> <p>N° de pièce 112141</p>	
<p>AVERTISSEMENT - L'échappement du moteur contient du monoxyde de carbone, un gaz toxique pouvant provoquer la mort ou de graves blessures. Faire fonctionner l'équipement loin des fenêtres, des portes et des événements. Ne pas faire fonctionner à l'intérieur ni dans un espace partiellement fermé.</p> <p>N° de pièce 113940</p>	
<p>AVERTISSEMENT – Le démarrage inattendu du moteur pourrait provoquer la mort ou des blessures graves. Lire et suivre le manuel d'utilisation du contrôleur électronique avant d'utiliser ou de réparer cet équipement.</p> <p>N° de pièce 108821 (modèles LSC et haute mer)</p>	
<p>Modèles non américains</p> <p>DANGER – Le fait d'entrer dans le compartiment électrique tandis que l'équipement est utilisé peut entraîner la mort ou des blessures graves. Éteindre l'équipement avant d'entrer dans le compartiment électrique.</p> <p>N° de pièce 104880</p>	

AVERTISSEMENT - Le contact avec des pièces en mouvement pourrait entraîner de graves blessures, voire la mort. Se tenir à l'écart des pièces en mouvement.

N° de pièce 110310-1

AVERTISSEMENT - L'ouverture du couvercle sur un radiateur chaud pourrait entraîner la mort ou des blessures graves. Laisser le radiateur se refroidir avant d'ouvrir le couvercle.

N° de pièce 110310-2

AVERTISSEMENT - Les articles de fumeur, les flammes nues ou d'autres formes d'allumage près de la batterie pourraient causer une explosion, causant la mort ou des blessures graves. Garder les articles de fumeur, les flammes nues, et autres formes d'ignition loin de la batterie.

N° de pièce 110310-3

AVERTISSEMENT - Toute exposition à des produits corrosifs pourrait entraîner la mort ou des blessures graves. Porter des gants de protection en manipulant la batterie.

N° de pièce 110310-4

AVERTISSEMENT - L'ouverture du couvercle sur un radiateur chaud pourrait entraîner la mort ou des blessures graves. Laisser le radiateur se refroidir avant d'ouvrir le couvercle.

N° de pièce 110309

DANGER - L'échappement du moteur contient du monoxyde de carbone, un gaz toxique pouvant provoquer la mort ou des blessures graves. Faire fonctionner l'équipement loin des fenêtres, des portes et des événements. Ne pas faire fonctionner à l'intérieur ni dans un espace partiellement fermé.

N° de pièce 113941

AVERTISSEMENT - Démarrage de moteur automatique. Le démarrage inattendu du moteur pourrait provoquer la mort ou des blessures graves. Lire et suivre le manuel d'utilisation du contrôleur électronique avant de faire fonctionner ou de faire l'entretien de cet équipement.

N° de pièce 107978 (modèles LSC et haute mer)

Modèles canadiens

Numéro de dossier CSA

N° de pièce 110361



Avis sur la fuite à la terre

N° de pièce 110362

NOTICE
Neutral bonded to frame.
Machine to be grounded in accordance with requirements as outlined by local inspection authorities.
AVIS
Neutre mis à la masse à la carcasse du moteur.
L'appareil doit être mis à la terre conformément aux exigences des services d'inspection locaux.

AVERTISSEMENT - L'échappement du moteur contient du monoxyde de carbone, un gaz toxique pouvant provoquer la mort ou de graves blessures. Faire fonctionner l'équipement loin des fenêtres, des portes et des événements. Ne pas faire fonctionner à l'intérieur ni dans un espace partiellement fermé.

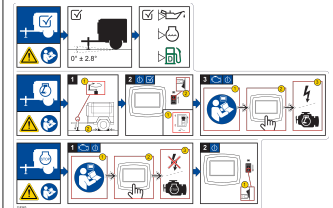
N° de pièce 110363

WARNING
Engine exhaust contains carbon monoxide, a poisonous gas that could cause death or serious injury.
Run equipment far from windows, doors and vents. Do not run equipment indoors or in a partially enclosed space.
AVERTISSEMENT
Le moteur contient du monoxyde de carbone, un gaz toxique pouvant provoquer la mort ou de graves blessures.
Faites fonctionner à l'extérieur. Tenir les fenêtres, les portes et des événements. Ne faites pas fonctionner à l'intérieur ni dans un espace partiellement fermé.

Tous les modèles

Instructions d'utilisation

N° de pièce 118363



Icônes de fonctionnement

Le tableau ci-dessous contient des icônes de fonctionnement qui peuvent se retrouver sur l'unité, ainsi que la signification de chaque icône.

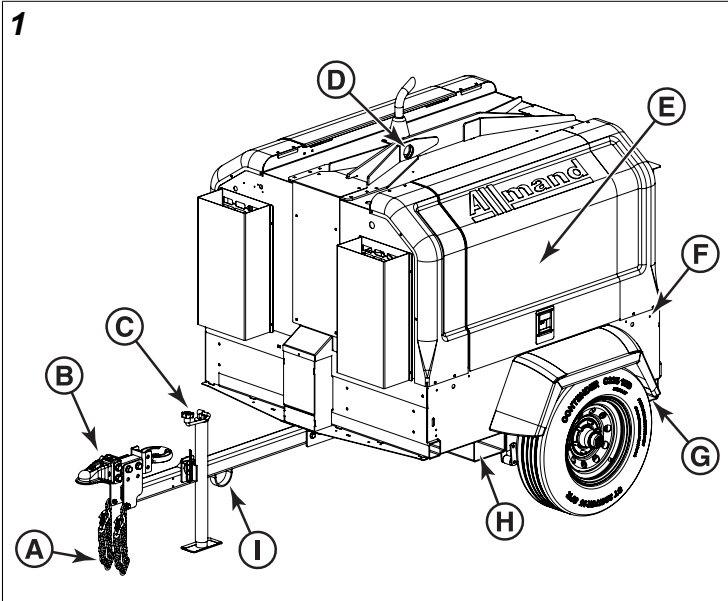
Icône	Signification	Icône	Signification
	Sous tension		Éclairage de travail
○	Hors tension		Vidange de l'huile moteur
	Arrêt du moteur		Vidange de liquide de refroidissement du moteur
	Moteur en marche		Drain de confinement du liquide
	et les commandes de démarrage du moteur		Disjoncteur
	Préchauffage du moteur		Déconnexion du disjoncteur
	Compteur d'heures		Mise à la masse
	Éclairage intérieur de la remorque		

Caractéristiques et commandes

La Allmand® Maxi-Power™ MP15XR Portable Generator est destinée à être utilisée comme génératrice stationnaire.

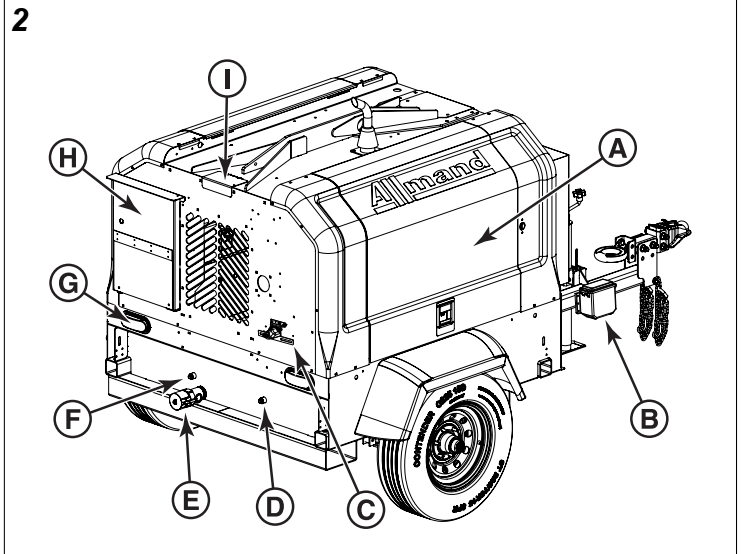
Identifier les caractéristiques et contrôles de la machine en comparant les Figures 1 à 3 avec les tableaux suivants. Consulter **Transport** et **Utilisation** pour des informations détaillées sur chaque caractéristique et commande.

Avant



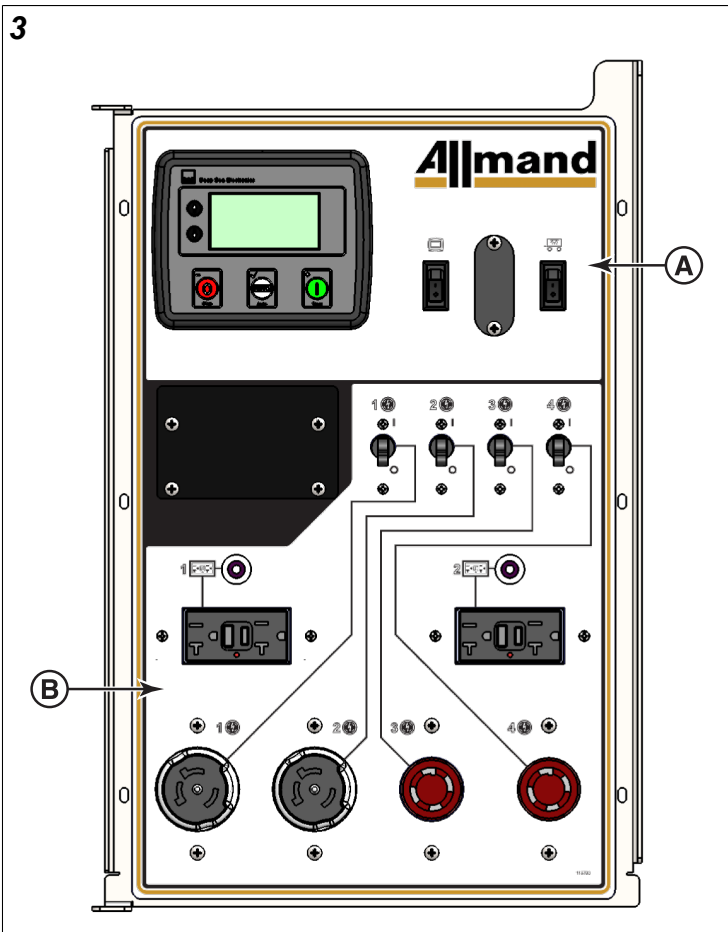
Réf.	Description
A	Chaînes de sécurité (2)
B	Anneau lunette pour bride de raccordement de la remorque
C	Vérin de flèche
D	Œillet de levage
E	Porte d'accès du compartiment moteur
F	Patte de mise à la masse
G	Passage de fourche arrière/Point de fixation (chaque côté)
H	Passage de fourche (chaque côté)
I	Boucle d'amarrage avant

Arrière



Réf.	Description
A	Porte d'accès du compartiment moteur
B	Trousse de sécurité
C	Support d'immatriculation/Feu de gabarit
D	Vidange de l'huile à moteur
E	Drain de confinement du liquide
F	Vidange de liquide de refroidissement du moteur
G	Feux arrière (2)
H	Porte d'accès au tableau de commande
I	Porte d'accès au radiateur

Tableau de commande



Réf.	Description
A	Panneau du moteur
B	Panneau de prises auxiliaire

Liste de vérification avant utilisation

Effectuer les vérifications suivantes avant de transporter et d'utiliser l'appareil ainsi que lors de l'entretien général.



AVERTISSEMENT

Risque de fonctionnement non sécuritaire

- Utiliser ou transporter la machine avec des pièces usées, endommagées ou manquantes pourrait provoquer la mort ou des blessures graves. Toujours remplacer promptement toutes pièces usées, endommagées ou manquantes. Ne pas transporter ni faire fonctionner la machine tant que les pièces usées, endommagées ou manquantes n'ont pas été remplacées, et que le bon fonctionnement de la machine n'ait pas été vérifié.

Remarque :

Nous encourageons l'utilisation de pièces de remplacement Allmand autorisées. La garantie ne couvre pas les dommages ou les problèmes de performance causés par l'utilisation de pièces non autorisées.

1. Vérifier que tous les autocollants de sécurité et d'utilisation sont présents et lisibles. Consulter la section **Sécurité – Autocollants de sécurité**.
2. Vérifier que tous les manuels d'utilisation (produit, moteur, génératrice, etc.) sont avec l'appareil.
3. Vérifier si les composants suivants sont usés et endommagés et s'ils fonctionnent bien :
 - a. Vérin de flèche
 - Vérifier si l'appareil est rouillé ou endommagé. Réparer ou remplacer au besoin.
 - Vérifier le bon fonctionnement. Consulter **Transport – Utilisation du vérin de flèche**.
 - b. Assemblage d'attelage (attelage de la remorque/ anneau lunette)
 - Vérifier si l'appareil est rouillé ou endommagé. Réparer ou remplacer au besoin.
 - Vérifier le bon fonctionnement. Consulter la section **Transport – Couplage et découplage de l'attelage de la remorque**.
 - Vérifier que la quincaillerie d'assemblage est bien serrée. Serrer au besoin.
 - c. Chaînes de sécurité
 - Vérifier si l'appareil est rouillé ou endommagé. Réparer ou remplacer au besoin.
 - Vérifier que la quincaillerie d'assemblage est bien serrée. Serrer au besoin.
 - d. Câble de l'éclairage de la remorque
 - Vérifier si les câbles sont coupés, effilochés ou dénudés. Réparer ou remplacer au besoin.
 - Vérifier si le connecteur est endommagé. Réparer ou remplacer au besoin.
 - e. Trousse de sécurité
 - Vérifier si les fils ou les câbles de sécurité sont brisés ou effilochés.
 - Vérifier l'autonomie de la batterie.
 - f. Pneus
 - Vérifier si les pneus sont usés, coupés, fissurés, etc. Remplacer si nécessaire.
 - Vérifier et ajuster la pression de gonflage. Consulter **Spécifications** pour la pression de gonflage adéquate.
 - g. Freins
 - Vérifier si les freins sont usés et s'ils fonctionnent bien. Réparer au besoin.
 - h. Essieu et châssis
 - Vérifier si l'appareil est rouillé ou endommagé. Réparer au besoin.
 - i. Câblage électrique
 - Vérifier si le câblage est coupé, usé ou dénudé. Réparer au besoin.

AVERTISSEMENT

Risque d'électrocution

- L'utilisation de l'appareil avec un câblage coupé, usé ou dénudé pourrait provoquer la mort ou des blessures graves. Réparer ou remplacer tout câblage endommagé avant d'utiliser la tour d'éclairage.

j. Moteur

- Vérifier la présence de fuites et d'autres signes d'usure ou de dommages. Réparer au besoin.
- Vérifier que le filtre à air est fermement attaché et que les joints du filtre à air et les colliers de serrage sont fixés correctement. Vérifier l'élément du filtre à air. Remplacer si nécessaire.

4. Vérifier et ajuster les niveaux de liquide.

a. Huile à moteur

- Consulter le manuel d'utilisation du moteur pour les recommandations sur l'huile, la capacité du réservoir et les procédures.

AVIS

L'utilisation du moteur sans huile provoquera des dommages à ce dernier.

b. Liquide de refroidissement du moteur

- Consulter le manuel d'utilisation du moteur pour les recommandations sur le liquide de refroidissement, la capacité du réservoir et les procédures.

AVIS

L'utilisation du moteur sans liquide de refroidissement provoquera des dommages à ce dernier.

c. Carburant

- Consulter la section **Utilisation – Ravitaillement de l'appareil** pour l'emplacement du réservoir de carburant, sa capacité, et les procédures de ravitaillement.

Transport

AVERTISSEMENT

Risque de fonctionnement non sécuritaire

- L'utilisation de l'équipement sans une formation adéquate pourrait provoquer la mort ou des blessures graves. Ne jamais laisser quiconque utiliser l'équipement sans formation adéquate.

Avant le transport, lire **Sécurité**.

Préparation pour la livraison au chantier

Préparer l'appareil pour la livraison au chantier, surtout s'il a été entreposé ou mis au ralenti pendant une période prolongée.

AVERTISSEMENT

Risque de fonctionnement non sécuritaire

- L'utilisation ou le transport d'une machine avec des pièces usées, endommagées ou manquantes peut causer la mort ou des blessures graves. Toujours remplacer promptement toutes pièces usées, endommagées ou manquantes. Ne pas utiliser ni transporter cette machine tant que les pièces usées, endommagées ou manquantes n'ont pas été remplacées, et que le bon fonctionnement de la machine n'ait été vérifié.

1. Effectuer toutes les vérifications avant utilisation. Voir **Liste de vérification avant utilisation**.
2. Faire passer le moteur par un cycle de démarrage et d'arrêt pour en vérifier le fonctionnement. Consulter la section **Fonctionnement – Faire fonctionner le moteur**. Consulter aussi le mode d'emploi du moteur.

Préparation pour le transport

1. Arrêter le moteur. Consulter la section **Fonctionnement – Faire fonctionner le moteur**. Consulter aussi le manuel d'utilisation du moteur
2. Fermer et verrouiller toutes les portes d'accès.

Remorquage

La vitesse maximale sur la route est de 65 mi/h (105 km/h). La vitesse maximale hors route est de 20 mi/h (32 km/h). Ne pas dépasser ces limites de vitesse.

AVERTISSEMENT

Risque de fonctionnement non sécuritaire

- Tirer la remorque sur la route à des vitesses dépassant 65 mi/h (105 km/h) pourrait provoquer la mort ou des blessures graves. Ne pas tirer la remorque sur la route à des vitesses dépassant 65 mi/h (105 km/h).

Exigences en matière de véhicule remorqueur et d'attelage

1. Vérifier le poids nominal brut du véhicule (PNBV) de la remorque. Consulter **Spécifications**.
2. Vérifier la capacité nominale de remorquage du véhicule remorqueur et de l'attelage. Les deux doivent satisfaire ou dépasser le (PNBV) de la remorque.

Remarque : Vérifier le manuel du propriétaire du véhicule ou de l'attelage pour la capacité nominale de remorquage.

AVERTISSEMENT

Risque lié au remorquage

- L'utilisation d'un véhicule remorqueur ou d'un attelage ayant une capacité nominale de remorquage inférieure au PNBV de la remorque pourrait provoquer la mort ou des blessures graves. Utiliser seulement un véhicule remorqueur et un attelage dont la capacité nominale de remorquage satisfait ou dépasse le PNBV de la remorque.

Vérifier le type d'attelage du véhicule remorqueur

La remorque est conçue pour les types d'attelage de véhicule remorqueur offerts suivants :

- Attelage avec boule de 2 po
- Attelage avec crochet
- Attelage avec boule de 2-5/16 po
- Attelage Bulldog de 2 po

Veiller à ce que le véhicule remorqueur soit équipé d'un de ces types d'attelage. Installer au besoin.

AVERTISSEMENT

Risque de fonctionnement non sécuritaire

- L'omission d'utiliser un attelage de véhicule remorqueur qui est compatible avec l'assemblage de l'attelage de la remorque pourrait provoquer la mort ou des blessures graves. Utiliser seulement un attelage de véhicule remorqueur qui est compatible avec l'assemblage de l'attelage de la remorque.

Inverser l'assemblage de l'attelage de la remorque

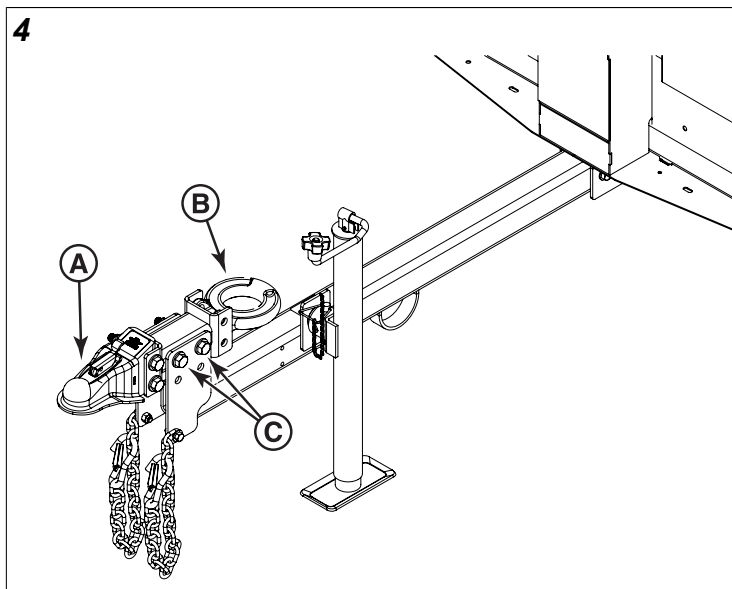
L'assemblage de l'attelage de la remorque peut être inversé. Utiliser l'attelage de la remorque (A, Figure 4) pour les attelages avec boule ou l'anneau lunette (B) pour les attelages avec crochet. Pour inverser l'assemblage de l'attelage de la remorque :

1. Retirer la quincaillerie de montage (C, Figure 4).
2. Inverser l'assemblage de l'attelage de la remorque.
Remarque : Utiliser l'ensemble de trous de montage sur la flèche de la remorque pour maintenir cette dernière de niveau le mieux possible lorsqu'elle est raccordée au véhicule remorqueur.
3. Réinstaller la quincaillerie. Serrer fermement.

AVERTISSEMENT

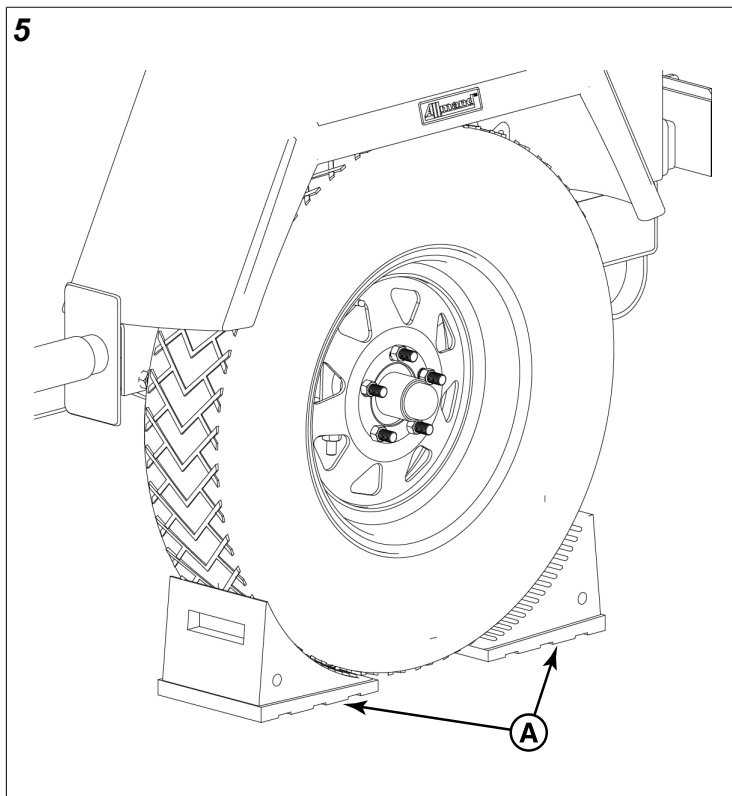
Risque de fonctionnement non sécuritaire

- L'omission d'installer correctement l'assemblage de l'attelage de la remorque pourrait provoquer la mort ou des blessures graves. Installer correctement l'assemblage de l'attelage de la remorque et serrer la quincaillerie fermement.



Raccorder la remorque au véhicule remorqueur

1. Positionner une cale de roue (non fournie) fermement contre l'avant et l'arrière des roues (A, Figure 5) de chaque côté de la remorque.



2. Utiliser le vérin de flèche pour soulever la flèche de la remorque. Consulter **Transport** – *Utilisation du vérin de flèche*.
3. Placer la boule d'attelage du véhicule remorqueur sous l'attelage de la remorque.
4. Raccorder l'attelage de la remorque à celui du véhicule remorqueur. Consulter **Transport – Couplage et découplage de l'attelage de la remorque**.
5. Raccorder les chaînes de sécurité.

AVERTISSEMENT

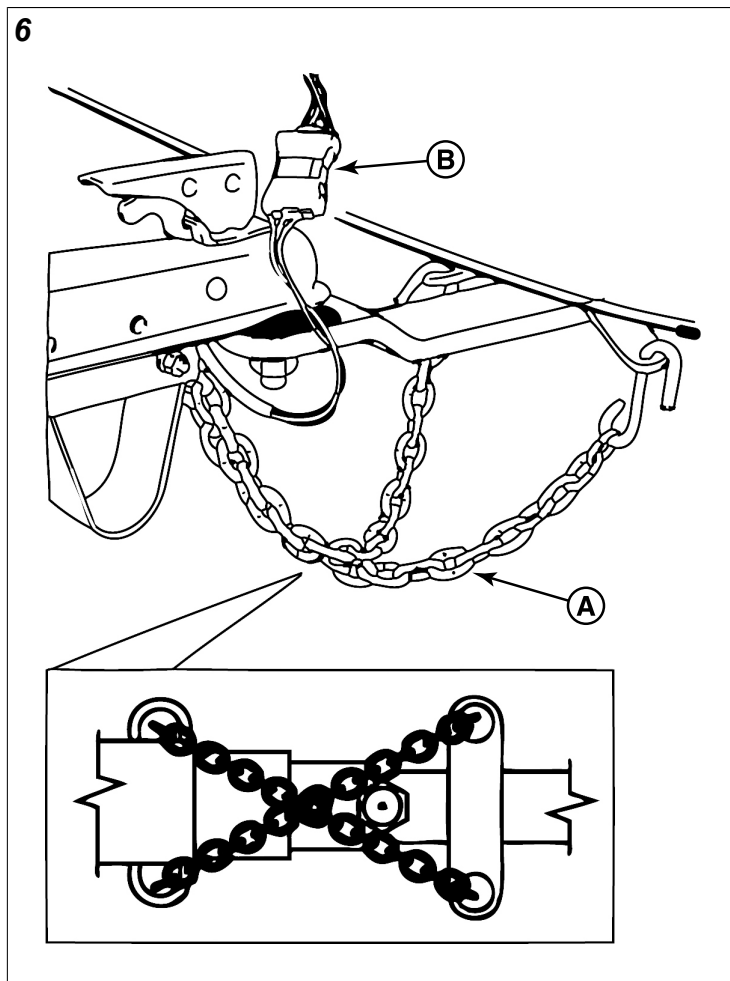
Risque de fonctionnement non sécuritaire

- L'omission d'installer de manière sécuritaire les chaînes de sécurité pourrait provoquer la mort ou des blessures graves. Toujours installer correctement les chaînes de sécurité.
 - a. Raccorder les chaînes de sécurité (A, Figure 6) aux passages pour chaînes de sécurité du véhicule remorqueur. Croiser les chaînes sous l'attelage pour entourer ce dernier en cas de séparation.
 - b. Installer les chaînes aussi serrées que possible avec assez de jeu pour permettre un virage sans encombrement.
6. Brancher le câble d'éclairage de la remorque.
- a. Veiller à ce que le câble d'éclairage de la remorque soit compatible avec celui du véhicule remorqueur. Au besoin, installer le câble ou le connecteur compatible au véhicule remorqueur.
 - b. Brancher le câble d'éclairage de la remorque à celui du véhicule remorqueur (B, Figure 6).
 - c. Veiller à ce qu'il y ait suffisamment de jeu pour permettre de faire un virage sans laisser le câble traîner sur le sol.
 - d. Vérifier le bon fonctionnement des feux de la remorque.

AVERTISSEMENT

Risque de fonctionnement non sécuritaire

- Le mauvais fonctionnement des feux de la remorque pourrait provoquer la mort ou des blessures graves. Toujours vérifier le bon fonctionnement des feux de la remorque et les réparer ou les remplacer au besoin.



- 7. Pour rétracter le vérin de flèche. Consulter la section **Transport – Utilisation du vérin de flèche**.
- 8. Retirer les cales de roue.

La remorque est maintenant prête à être tirée.

Pour déconnecter la remorque du véhicule remorqueur

1. Caler les roues.
2. Déployer le vérin de flèche. Consulter la section **Transport – Utilisation du vérin de flèche**.
3. Déconnecter le câble d'éclairage de la remorque de celui du véhicule remorqueur.
4. Retirer les chaînes de sécurité des passages de chaînes sur le véhicule remorqueur.
5. Désaccoupler l'attelage de la remorque de celui du véhicule remorqueur. Consulter **Transport – Couplage et découplage de l'attelage de la remorque**.
6. Éloigner le véhicule remorqueur de l'appareil.

Utilisation du vérin de flèche

L'appareil est doté d'un vérin de flèche pour soulever et abaisser la flèche de la remorque, et pour mettre la remorque de niveau de l'avant à l'arrière.

Pour déployer le vérin de flèche

1. Retirer la goupille de verrouillage du vérin (A, Figure 7).

- Faire tourner le vérin de flèche à 90° en position d'utilisation (B, Figure 7). Installer la goupille de verrouillage du vérin (C).



AVERTISSEMENT

Risque de fonctionnement non sécuritaire

- L'omission d'installer la goupille de verrouillage du vérin peut causer des blessures graves ou la mort. Veiller à verrouiller le vérin de flèche en position d'utilisation avec la goupille de verrouillage du vérin.

- Déplier la poignée du vérin en position de fonctionnement (D, Figure 7).

Pour abaisser le pied du vérin (soulever l'avant de la remorque)

- Tourner la poignée du vérin dans le sens antihoraire (E, Figure 7) pour abaisser le pied du vérin (F) et lever la flèche de la remorque.

Pour soulever le pied du vérin (abaisser la flèche de la remorque)

- Tourner la poignée du vérin dans le sens horaire (G, Figure 7) pour lever le pied du vérin (F) et abaisser la flèche de la remorque.

Pour rétracter le vérin de flèche

- Veiller à ce que la remorque soit soutenue de manière sécuritaire par le véhicule remorqueur ou d'autres moyens approuvés.

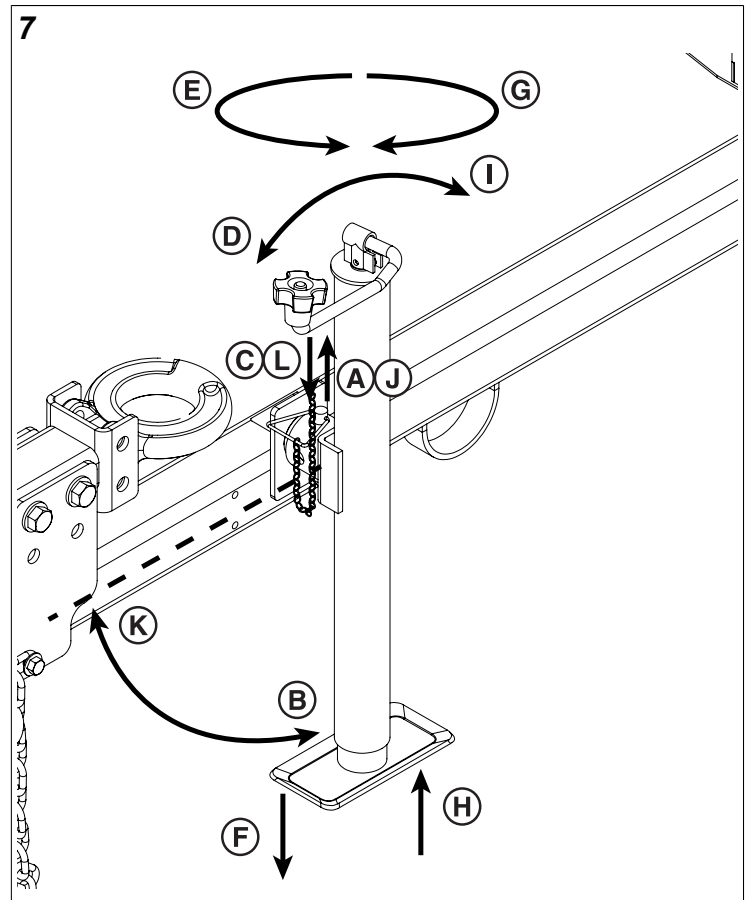


AVERTISSEMENT

Risque de fonctionnement non sécuritaire

- L'omission de soutenir la flèche de la remorque avant de rétracter le vérin de flèche pourrait entraîner la mort ou de graves blessures. Veiller à ce que le vérin de flèche soit soutenu de manière sécuritaire avant de rétracter.

- Soulever complètement le pied du vérin.
- Plier la poignée du vérin en position de transport (I, Figure 7).
- Retirer la goupille de verrouillage du vérin (J, Figure 7).
- Faire tourner le vérin de flèche à 90° en position de transport (K, 7). Installer la goupille de verrouillage du vérin (L).



Couplage et découplage de l'attelage de la remorque

Attelage de la remorque (pour attelages avec boule)

Pour couplage à l'attelage avec boule du véhicule remorqueur

- Tirer sur la gâchette de verrouillage (A, Figure 8) et soulever le levier de verrouillage (B, illustré soulevé).
- Utiliser le vérin de flèche pour abaisser la prise de bride de raccordement de la remorque (C, Figure 8) complètement sur l'attelage à boule (F). Consulter la section **Transport – Utilisation du vérin de flèche**.
- Ajuster l'attache de la bride de raccordement (D, Figure 8) en utilisant l'écrou de réglage (E). Serrer l'écrou d'ajustement en tournant l'écrou dans le sens horaire, ou desserrer en tournant dans le sens antihoraire. Un ajustement approprié est obtenu lorsque l'attelage est aussi serré que possible sur l'attelage à boule et que le levier de verrouillage peut encore être ouvert et fermé.



AVERTISSEMENT

Risque de fonctionnement non sécuritaire

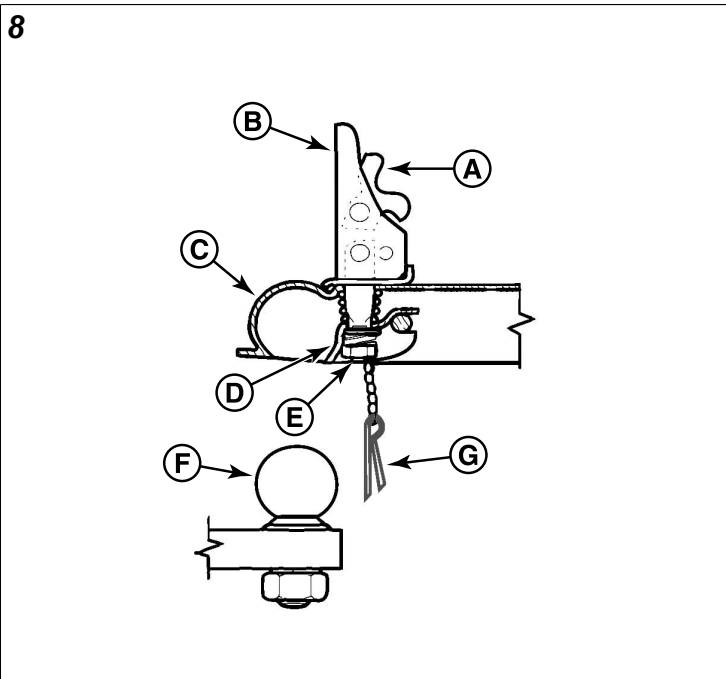
- L'omission d'ajuster correctement l'attache de la bride de raccordement pourrait provoquer la mort ou des blessures graves. Ajuster l'attache de la bride de raccordement et vérifier l'ajustement fréquemment.
- Pousser le levier de verrouillage vers le bas en position verrouillée. Insérer la goupille de verrouillage (G,

Figure 8) dans le trou dans le levier de verrouillage ou utiliser un cadenas pour plus de sécurité.

5. S'assurer que l'attelage est fixé de façon sécuritaire à la boule d'attelage.

Pour découpler

1. Enlever la goupille de verrouillage (ou le cadenas, le cas échéant) du trou dans le levier de verrouillage.
2. Tirer sur le mécanisme de verrouillage et soulever le levier de verrouillage.
3. Utiliser le vérin de flèche pour soulever l'attelage de remorque jusqu'à ce qu'il dépasse la boule d'attelage du véhicule remorqueur. Consulter la section **Transport** – **Utilisation du vérin de flèche**.



Anneau lunette (pour l'attelage à rondelle)

Pour raccorder l'attelage à rondelle du véhicule remorqueur

1. Ouvrir le loquet de verrouillage (C, Figure 9) sur l'attelage à rondelle du véhicule remorqueur (A).

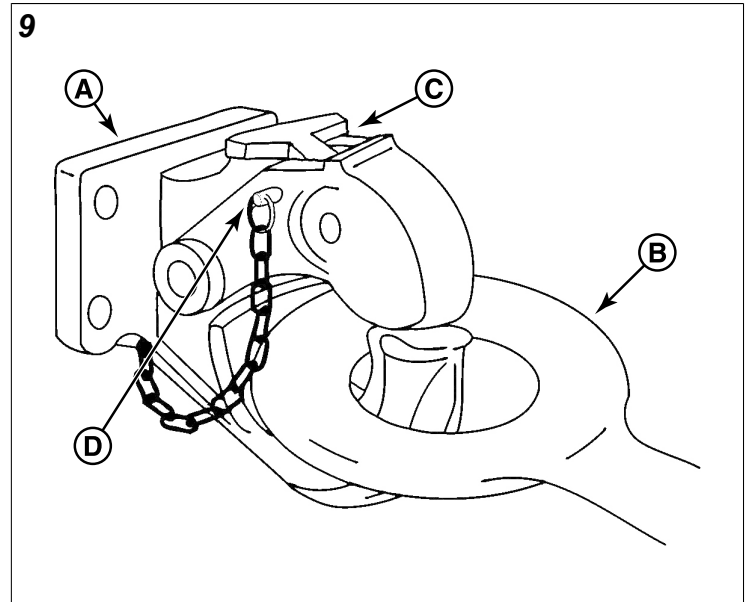
Remarque : Attelage à rondelle standard illustré; les modèles varient.

2. Utiliser le vérin de flèche pour abaisser l'anneau lunette (B, Figure 9) dans le crochet d'attelage à rondelle. Consulter la section **Transport** – **Utilisation du vérin de flèche**.
3. Fermer le levier de verrouillage. Insérer la goupille de verrouillage (D, Figure 9) dans le trou du levier de verrouillage.

Pour découpler

1. Retirer la goupille de verrouillage dans le trou du levier de verrouillage.
2. Ouvrir le levier de verrouillage.

3. Utiliser le vérin de flèche pour abaisser l'anneau lunette jusqu'à ce qu'il se dégage du crochet d'attelage à rondelle. Consulter la section **Transport** – **Utilisation du vérin de flèche**.



Levage

Exigences pour l'équipement de levage

- Utiliser seulement de l'équipement de levage approuvé avec une capacité de levage nominale qui dépasse le PNBV. Consulter **Spécifications**.



AVERTISSEMENT

Risque de fonctionnement non sécuritaire

- L'omission d'utiliser de l'équipement de levage approuvé avec une capacité de levage nominale qui dépasse le PNBV pourrait provoquer la mort ou des blessures graves. Utiliser seulement de l'équipement de levage approuvé avec une capacité de levage nominale qui dépasse le PNBV.

Points de levage

- Œillette de levage – (A, Figure 10) Utiliser seulement des manilles ou un crochet de type verrouillable en utilisant l'œillette de levage.
- Passages de fourche – (B, Figure 10) Utiliser des lames du chariot élévateur d'au moins 60 po (152 cm) de long en effectuant le levage de l'appareil. Insérer les lames du chariot élévateur dans les passages de fourche.



AVERTISSEMENT

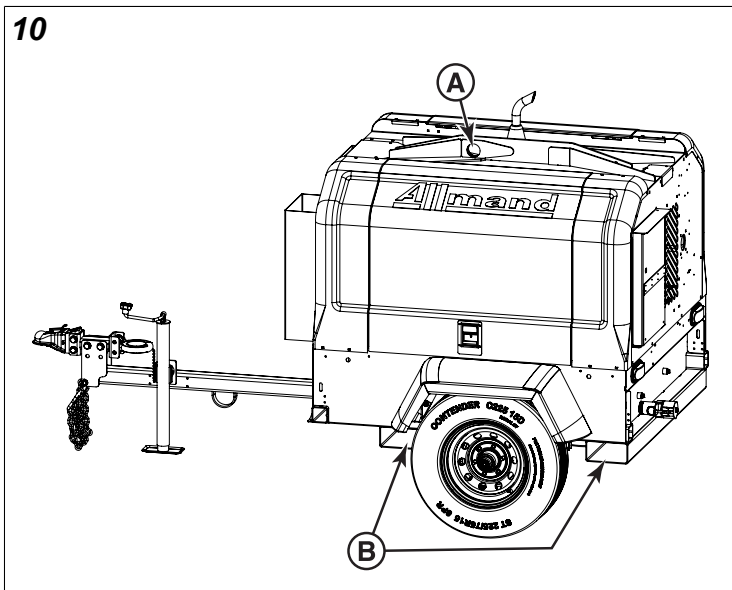
Risque de fonctionnement non sécuritaire

- L'omission d'utiliser les points de levage désignés pour soulever l'appareil pourrait provoquer la mort ou des blessures graves. Utiliser seulement les points de levage désignés pour soulever l'appareil.

AVERTISSEMENT

Risque d'écrasement

- Se tenir debout sous une tour d'éclairage ou près de cette dernière pendant qu'elle est soulevée pourrait provoquer la mort ou des blessures graves. Ne jamais se tenir debout sous l'appareil ni près de ce dernier pendant qu'il est soulevé.



Transport sur une remorque

Les points de fixation situés sur le dessous de la partie arrière de la remorque (passages de fourche droit et gauche) et la flèche de la remorque (A, Figure 11) sont utilisés pour fixer l'appareil à la remorque.

Remarque : Les emplacements des points de fixation de tous les modèles sont semblables.

AVERTISSEMENT

Risque de fonctionnement non sécuritaire

- L'omission d'utiliser les points de fixation désignés pour fixer l'unité à la remorque pourrait provoquer la mort ou des blessures graves. Utiliser toujours les points de fixation désignés pour fixer l'appareil à la remorque.
1. Fixer l'appareil aux points de fixation avec des chaînes ou des sangles de calibre adéquat.

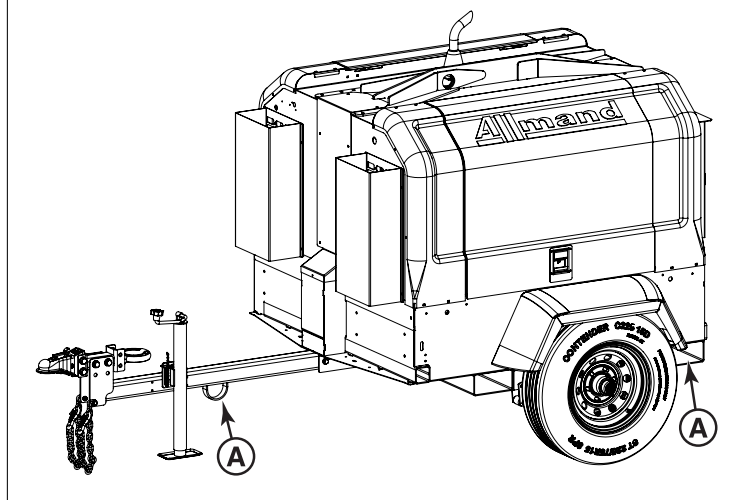
AVERTISSEMENT

Risque de fonctionnement non sécuritaire

- L'omission d'utiliser des chaînes ou des sangles de calibre adéquat pour fixer l'unité à la remorque pourrait provoquer la mort ou des blessures graves. Toujours utiliser des chaînes ou des sangles de calibre adéquat pour fixer l'unité à la remorque.
2. Ne pas appliquer une force de plus de 600 lb (272 kg) sur les chaînes ou les sangles.

3. Le conducteur du camion est responsable de fixer la charge correctement sur la remorque.

11



Fonctionnement

Avant l'utilisation, lire **Sécurité**.

Choisir le chantier

1. Obéir aux règles et aux règlements étatiques, provinciaux et fédéraux ainsi que les règlements ou les directives du chantier.
2. Tenir compte des points suivants en choisissant un chantier :

Surface du sol

- Faire l'installation sur des surfaces de terrain lisses, planes et solides seulement.
- Ne pas installer sur une inclinaison de plus de 2,8° (pente de 5 %) de l'avant à l'arrière et d'un côté à l'autre.



AVERTISSEMENT

Risque de renversement

- L'installation de l'appareil sur des terrains mous ou instables, ou sur des inclinaisons de plus de 2,8° (pente de 5 %), pourrait provoquer la mort ou des blessures graves. Installer l'appareil seulement sur des surfaces de terrain lisses, planes et solides avec des inclinaisons inférieures ou égales à 2,8° (pente de 5 %).

Installer l'appareil

1. Positionner l'appareil au chantier. Consulter la section **Fonctionnement – Choisir le chantier**.
2. Caler les roues. Consulter la section **Transport – Remorquage**.
3. Si l'appareil a été remorqué au chantier, le déconnecter du véhicule de remorquage. Consulter la section **Transport – Remorquage**.

- Mettre la remorque de niveau avec le vérin de flèche.
Consulter la section **Transport** – **Utilisation du vérin de flèche**.
- L'appareil est maintenant installé et prêt à être utilisé.

Faire le plein de carburant

Pour faire le plein

- Ouvrir la porte d'accès du compartiment du moteur pour accéder au ou aux réservoirs de carburant.
- Ouvrir le(s) bouchon(s) de remplissage.
- Ajouter du carburant au besoin. Consulter le manuel d'utilisation du moteur pour les recommandations de carburant. Consulter **Spécifications** pour la capacité de carburant.

AVIS

Carburant diesel seulement. L'utilisation d'essence peut causer des dommages au moteur.

AVIS

Faire le plein de carburant sous pression n'est pas permis.

Fonctionnement de l'unité

Avant utilisation

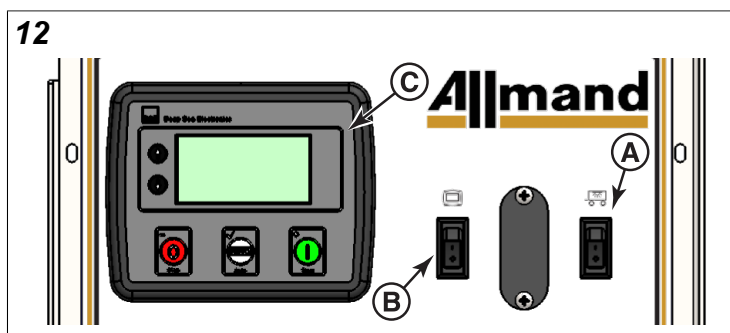
- Effectuer les vérifications avant utilisation.
Consulter **Liste de vérification avant utilisation**.
- Faire en sorte que l'appareil est installé correctement au chantier. Consulter la section **Fonctionnement – Installation de l'appareil**.

Utilisation du moteur

Pour démarrer le moteur

Modèles haute mer

- Régler l'interrupteur mode haute mer (C, Figure 12) à MARCHE.
- Consulter le manuel d'utilisation séparé pour utiliser l'appareil (D, Figure 12).



A	Éclairage intérieur – Éclaire le compartiment moteur
B	Interrupteur mode haute mer
C	Appareil haute mer

Arrêter le moteur

Modèles haute mer

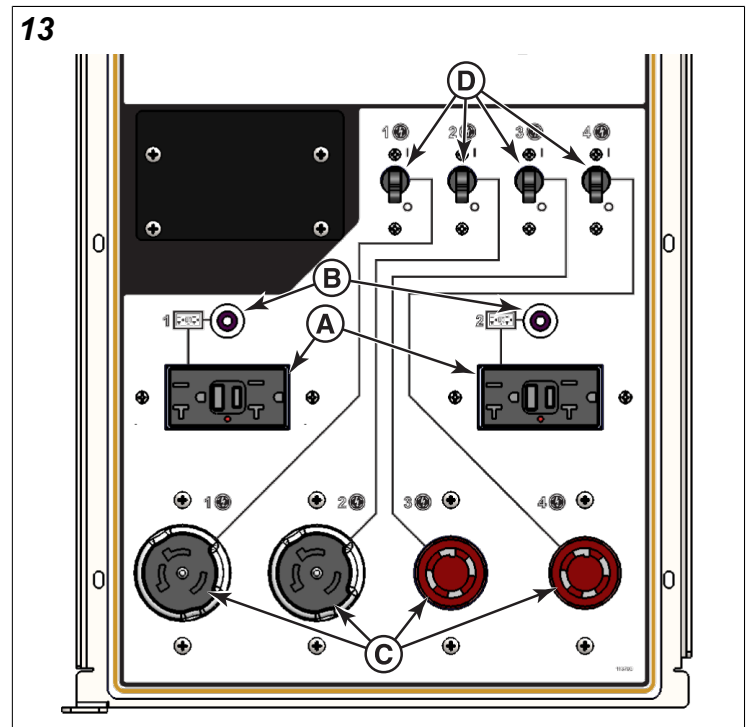
- Consulter le manuel d'utilisation Haute mer pour les procédures d'arrêt Haute mer.
- Régler l'interrupteur de mode Haute mer à ARRÊT.

Système d'arrêt automatique du moteur

Le moteur est équipé d'un système d'arrêt automatique du moteur pour empêcher des dommages excessifs au moteur en cas de faible pression d'huile ou de surchauffe du liquide de refroidissement. Pour des informations supplémentaires, consulter votre manuel d'utilisation du moteur.

Prises CA auxiliaires

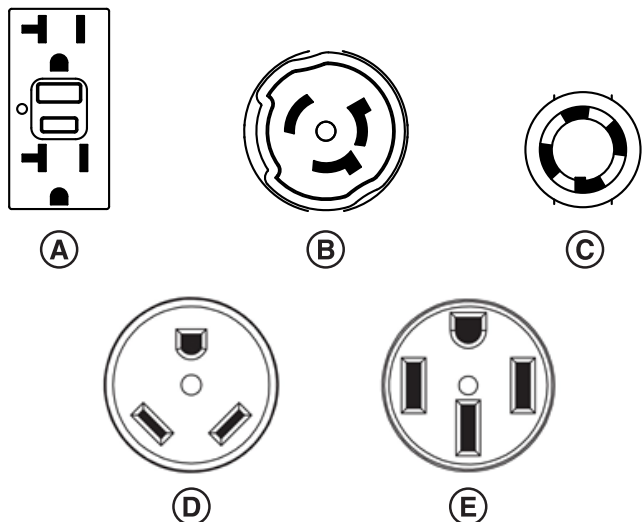
Les appareils sont munis d'une gamme de prises CA auxiliaires. Consulter la Figure 13 et le tableau suivant.



A	Prises avec GFCI 120 V	Les prises offrent une alimentation 120 V, protégées avec un disjoncteur différentiel de fuite à la terre (GFCI).
B	Boutons de réinitialisation GFCI	Réinitialise les prises GFCI
C	Prises auxiliaires	Diverses prises auxiliaires
D	Disjoncteurs de prises auxiliaires	Met en et hors circuit les prises auxiliaires

Consulter la figure 14 et le tableau suivant selon les types de prises disponibles.

14



A	20 A, 120 volts DFT bipolaire, trifilaire, double GFCI NEMA 5-20R
B	50 A, 120/240 volts 3 pôles, 4-fils PRISE CS6369
C	30 A, 120/240 volts tripolaire, 4 fils, verrouillage par rotation NEMA L14-30R
D	30 A, 120 volts bipolaire, trifilaire NEMA TT-30R
E	50 A, 120/240 volts tripolaire, 4 fils NEMA L14-50R

Le courant est amené aux prises lorsque le moteur est en marche et le disjoncteur principal est activé.

Chaque prise est protégée par un disjoncteur dédié. Si le disjoncteur se déclenche :

1. Déconnecter la charge de la prise.
2. Arrêter le moteur.
3. Attendre 10 minutes que la génératrice se refroidisse.
4. Corriger le problème de charge.
5. Démarrer le moteur.
6. Réarmer le disjoncteur.

Remarque : Vérifier aussi le disjoncteur GFCI sur la prise GFCI et le réarmer si nécessaire.

7. Rebrancher la charge.
8. Si le problème persiste, consulter la rubrique **Dépannage**.

Arrêt de l'appareil

1. Arrêter le moteur. Consulter la section **Fonctionnement – Faire fonctionner le moteur**.
2. L'appareil est prêt pour le transport. Consulter **Transport**.

Entretien

Avant d'effectuer toutes procédures d'entretien, lire **Sécurité**.

L'entretien prévu est nécessaire pour l'utilisation sécuritaire et efficace de l'appareil. Dans des conditions extrêmes (poussière, chaleur, froid, etc.), un entretien plus fréquent peut être nécessaire.



AVERTISSEMENT

Risque de fonctionnement non sécuritaire

- L'utilisation ou le transport d'une machine avec des pièces usées, endommagées ou manquantes pourrait provoquer la mort ou des blessures graves. Remplacer promptement toutes pièces usées, endommagées ou manquantes. Ne pas utiliser ni transporter cette machine tant que les pièces usées, endommagées ou manquantes n'ont pas été remplacées, et que le bon fonctionnement de la machine n'a pas été vérifié.

Renseignements généraux

Utiliser la liste de vérification avant utilisation comme instructions d'entretien. Voir **Liste de vérification avant utilisation**.

Moteur

Entretien général du moteur

Consulter le manuel d'utilisation du moteur pour toutes les procédures d'entretien prévu du moteur (incluant huile, liquide de refroidissement, filtres, etc.).

Vidange de l'huile à moteur

L'appareil est équipé d'un purgeur d'huile à moteur distant (A, Figure 15).

Pour vidanger l'huile à moteur :

1. Placer un contenant approuvé sous le drain à huile.
2. Retirer le bouchon de vidange d'huile ou ouvrir la soupape de vidange d'huile selon le modèle.
3. Laisser l'huile à moteur s'écouler complètement dans le contenant approuvé. Veiller à jeter l'huile à moteur usée selon les règlements locaux, étatiques, provinciaux ou fédéraux.
4. Replacer le bouchon de vidange d'huile ou fermer la soupape de vidange d'huile.
5. Ajouter de l'huile au moteur. Consulter les spécifications ou le manuel d'utilisation du moteur pour les recommandations concernant l'huile et la capacité du réservoir.

AVIS

L'omission d'ajouter de l'huile à moteur abîmera le moteur.

Vidange de liquide de refroidissement du moteur

L'appareil est équipé d'un purgeur de liquide de refroidissement du moteur distant (B, Figure 15).

Pour purger le liquide de refroidissement du moteur :

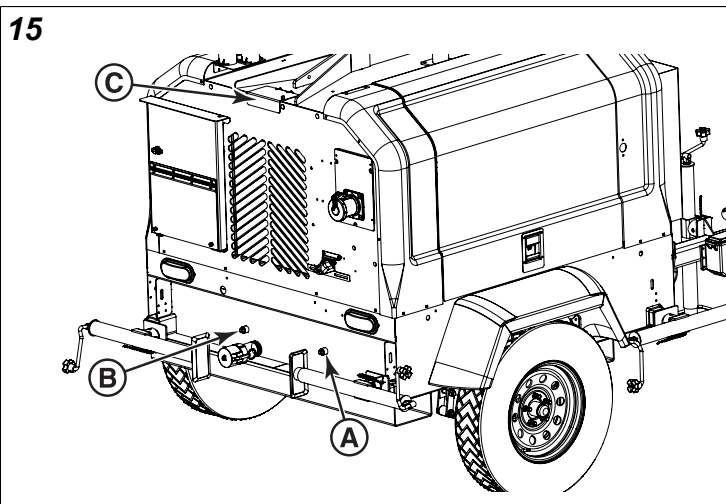
1. Placer un contenant approuvé sous le drain à liquide de refroidissement.
2. Retirer le bouchon de vidange de liquide de refroidissement ou ouvrir la soupape de vidange de liquide de refroidissement selon le modèle.
3. Laisser le liquide de refroidissement du moteur s'écouler complètement dans le contenant approuvé. Veiller à jeter

le liquide de refroidissement du moteur usé selon les règlements locaux, étatiques, provinciaux ou fédéraux.

4. Replacer le bouchon de vidange de liquide de refroidissement ou fermer la soupape de vidange de liquide de refroidissement.
5. Ouvrir la porte d'accès de remplissage de liquide de refroidissement (C, Figure 15), pour ajouter du liquide de refroidissement au moteur. Consulter le manuel d'utilisation du moteur pour les recommandations concernant le liquide de refroidissement et la capacité du réservoir.

AVIS

L'omission d'ajouter le liquide de refroidissement du moteur abîmera le moteur.



Système électrique

Génératrice

Consulter le manuel d'utilisation de la génératrice pour connaître les procédures d'entretien prévues.

Remorque

Châssis

1. Vérifier le bon fonctionnement de l'attelage de remorque et s'il est corrodé ou endommagé. Remplacer si nécessaire.
2. Inspecter le châssis de la remorque et la tôle de carrosserie pour la présence de rouille, d'entailles et d'éclats. Utiliser de la peinture appropriée pour retoucher les entailles ou les égratignures. Contacter votre concessionnaire pour des informations supplémentaires.
3. Vérifier si l'essieu, les ressorts et le châssis sont usés ou endommagés. Remplacer si nécessaire.
4. Vérifier si les barres de longeron, les vérins stabilisateurs avant et arrière ainsi que les mécanismes de verrouillage sont usés ou endommagés et s'ils fonctionnent bien. Remplacer si nécessaire.
5. Vérifier si les chaînes de sécurité sont usées ou endommagées par la corrosion. Remplacer si nécessaire.

6. Vérifier si la trousse de sécurité est endommagée. Vérifier si la batterie est bien chargée. Vérifier si le câblage est usé ou effiloché. Vérifier si le câble de sécurité est usé ou endommagé. Réparer ou remplacer au besoin.

Points de graissage

1. Utiliser de la graisse de roulement haute température antifriction NGLI n° 2 pour tous les points de pivot mécaniques de la remorque.

Roues et pneus de la remorque

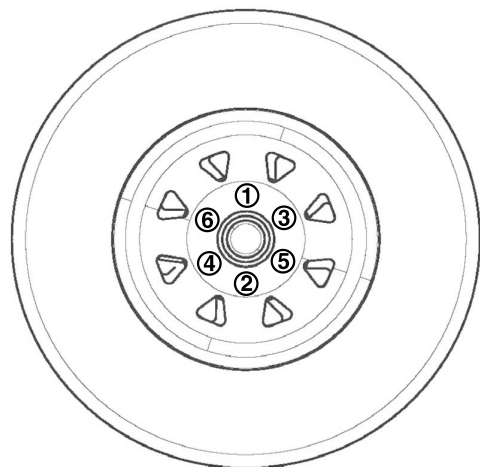


AVERTISSEMENT

Risque lié au remorquage

- Tirer une remorque avec des pneus, des jantes ou des écrous endommagés pourrait provoquer la mort ou des blessures graves. Ne jamais tirer la remorque avec des pneus, des jantes ou des écrous de roue endommagés.
1. Vérifier les pneus en cas de fissures, coupures ou dommages. Réparer ou remplacer les pneus endommagés avant de remorquer.
 2. Vérifier la pression d'air des pneus de la remorque lorsqu'ils sont froids. Consulter **Spécifications**.
 3. Vérifier les jantes de roues en cas de fissures ou de dommages.
 4. Vérifier si les freins fonctionnent correctement.
 5. Veiller à ce que les écrous de roue soient en place. Ne jamais tirer la remorque avec des écrous de roue manquants ou incorrectement serrés.
 6. S'assurer que les écrous de roue sont serrés correctement. Le bon couple pour les écrous de roue est de 90 lb-pi (122 Nm).
 7. Lors du serrage des écrous de roue, toujours utiliser un motif entrecroisé (Figure 16).

16



Roulements de moyeu

Consulter le manuel d'utilisation des essieux pour les renseignements sur l'entretien des roulements de roue et autres composants des essieux.

Éclairage de la remorque



AVERTISSEMENT

Risque lié au remorquage

- Ne jamais tirer la remorque avec des feux de remorque non fonctionnels. Les feux sont une caractéristique de sécurité vitale de votre remorque et sont aussi requis par la loi provinciale. Maintenir les feux en bon état de fonctionnement.
1. Vérifier les feux de la roulotte et le faisceau pour des dommages ou de l'usure. Réparer ou remplacer au besoin.
 2. S'assurer que le faisceau est fixé à la remorque et ne pend pas sur le sol.
 3. Vérifier si les ensembles de boîtiers de feu arrière sont endommagés ou fuyent. Utiliser un scellant au silicone ou au caoutchouc pour sceller la lentille ou le faisceau, si requis, ou remplacer l'assemblage du boîtier. La graisse électrique aidera à protéger les douilles et empêchera leur corrosion.
 4. Lors du remplacement des ampoules, veiller à ce que la bonne ampoule est utilisée et utiliser une petite quantité de graisse électrique dans les douilles pour empêcher la corrosion.
 5. Pour des informations sur le schéma de câblage de la remorque, consulter le manuel séparé schéma de câblage.

Nettoyage



AVERTISSEMENT

Risque d'emmêlement

L'omission d'arrêter le moteur avant de nettoyer l'appareil pourrait provoquer la mort ou des blessures graves. Toujours arrêter le moteur avant de nettoyer l'appareil.



AVERTISSEMENT

Danger de brûlure

Arrêter le moteur et laisser suffisamment de temps aux composants pour qu'ils se refroidissent avant de nettoyer l'appareil. L'omission de le faire pourrait provoquer de graves brûlures.

AVIS

Être prudent lors de l'utilisation d'air comprimé ou de laveuses à pression à l'eau ou à la vapeur. Ne pas nettoyer des composants électriques sous pression, ils risqueraient d'être endommagés.

Il est important de maintenir l'appareil propre pour en assurer le bon fonctionnement. L'accumulation de saleté et de poussière agit comme isolant et peut faire fonctionner le

moteur et la génératrice à des températures excessivement élevées.

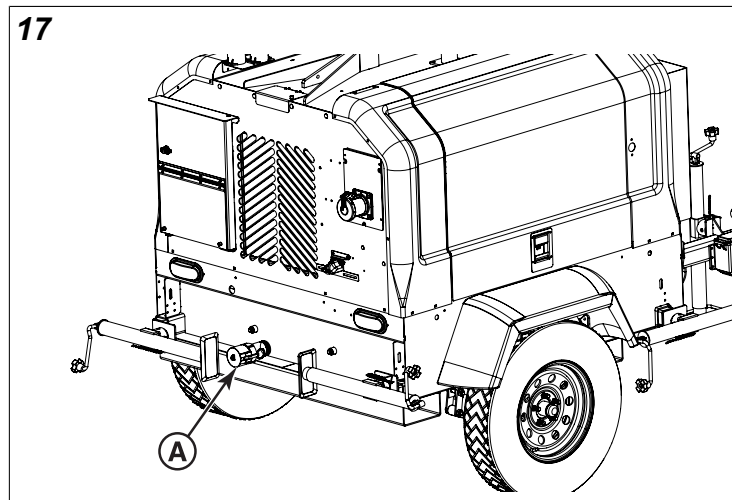
Utiliser ce qui suit comme directives de nettoyage :

1. Nettoyer la remorque pour supprimer la saleté, la poussière et tout corps étranger.
2. Nettoyer tout le câblage électrique et les composants à la main en utilisant un nettoyeur non corrosif.
3. Nettoyer l'intérieur du compartiment moteur.
4. Nettoyer tout déversement d'huile ou de liquide dans le compartiment moteur.
5. Vider le plateau de confinement du liquide.
Consulter **Vidanger le plateau de confinement du liquide**.

Système de confinement du liquide

L'appareil contient un système de confinement du liquide conçu pour recevoir les déversements de carburant, d'huile ou de liquide de refroidissement. Pour vidanger :

1. Positionner un contenant approprié sous le drain de confinement du liquide (A, Figure 17)
2. Retirer le bouchon de vidange.
3. Laisser le liquide se vidanger complètement dans le contenant.
4. Remettre le capuchon de vidange.
5. Jeter le liquide de manière adéquate conformément aux directives du gouvernement.



Remisage à long terme

Un entretien adéquat est requis lorsque l'appareil doit être remisé ou mis hors service pour des périodes prolongées.

Consulter le manuel d'utilisation du moteur et le manuel d'utilisation de la génératrice pour toutes les procédures de remisage à long terme du moteur et du générateur.

1. Faire les réparations nécessaires pour s'assurer que l'équipement est entièrement fonctionnel lors de la remise en service.
2. Nettoyer et laver le châssis et la tôle de carrosserie. Enduire toutes les surfaces d'une couche anticorrosion, le cas échéant.

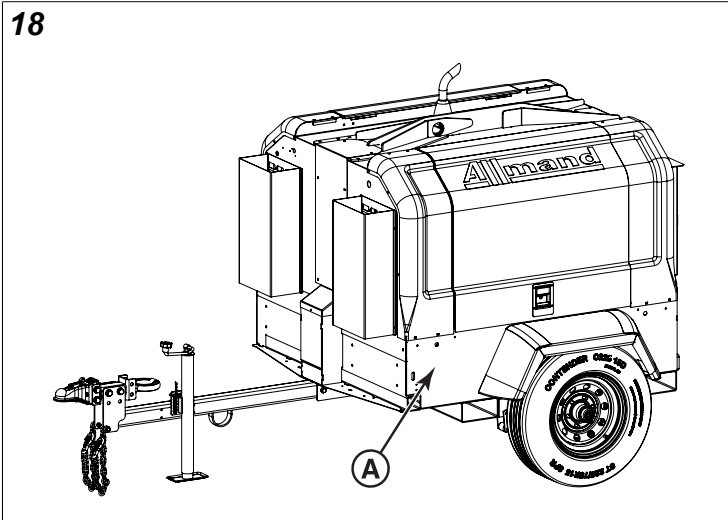
3. Nettoyer tout déversement d'huile ou de liquide dans le compartiment moteur.
4. Vidanger le système de retenue de liquide.
5. Nettoyer tout le câblage électrique et les composants à la main en utilisant un nettoyant non corrosif.
6. Débrancher et enlever la batterie.
7. Couvrir adéquatement pour protéger l'appareil.
8. Déposer adéquatement l'essieu de la remorque sur des chandelles ou autres supports appropriés pour que les pneus ne touchent pas au sol lors du remisage.

Numéros de modèle et de série

Le numéro de modèle et le numéro de série sont nécessaires pour le soutien du produit et les pièces pour la réparation. Vous trouverez ci-après les emplacements où se trouvent les numéros de modèle et les numéros de série des composants principaux.

La remorque à tour d'éclairage

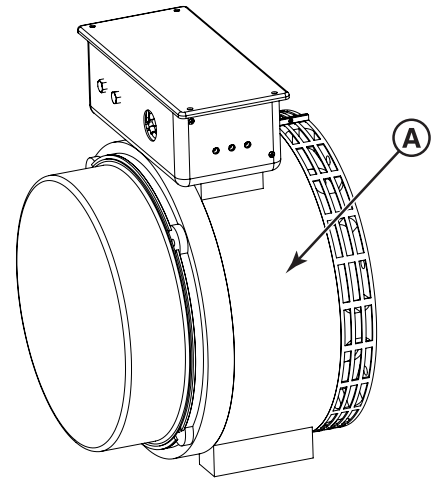
La plaque du numéro de série de la remorque se trouve à l'avant gauche de l'appareil (A, Figure 18).



Génératrice

La génératrice a une plaque avec numéro de série (A, Figure 19) fixée sur le côté du boîtier.

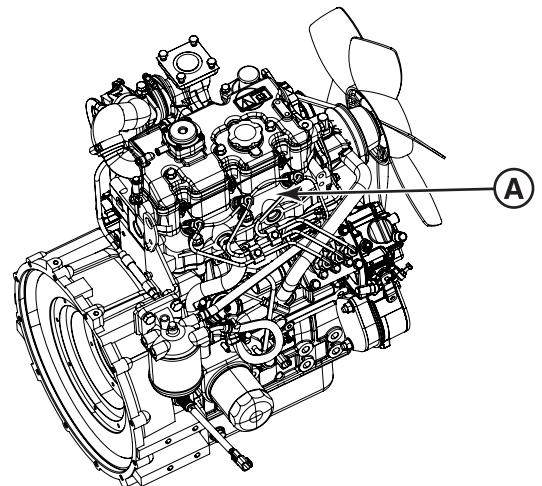
19



Moteur

Le moteur a une plaque avec numéro de série (A, Figure 20) fixée près du dessus du moteur.

20



Dépannage

Avant d'effectuer toute procédure de dépannage, lire la section **Sécurité**.

Pour le dépannage du moteur et de la génératrice, voir le manuel d'utilisation du moteur et le manuel d'utilisation de la génératrice ou contacter votre concessionnaire.

Pour tous les autres problèmes, contacter votre détaillant.

pour l'huile hydraulique

Dimension hors tout

Dimensions	Impérial	Métrique
Longueur	10 pi, 6 po	3,20 m
Largeur	6 pi, 5 po	1,96 m
Hauteur	6 pi, 2 po	1,86 m
Vide à fond	8,5 po	216 mm

Poids d'expédition	2 500 lb	1 134 kg
Poids nominal brut du véhicule (PNBV)	5 000 lb	2 267 kg

la remorque à tour d'éclairage

Spécifications	Impérial	Métrique
Poids nominal brut sur l'essieu (GAWR)	5 000 lb	2 267 kg
Dimensions et type de pneus	ST225/75R15D Capacité de charge « D »	
Jantes	15 x 6 JJ	
Pression de gonflage du pneu froid	65 psi	448 kPa
Vitesse sur la route maximale	65 mi/h	105 km/h
Vitesse hors-route maximale	20 mi/h	32 km/h
Réservoir de carburant	100 gallons US	378 L
Structure du cadre	Conception en acier soudé formé	
Essieu	Conception tubulaire	
Moyeux	(6) goujons ½-20 UNF sur un cercle de boulonnage de 5,5 po (139,7 mm) de diamètre	
Ressorts	Ressorts elliptiques – Trois feuilles	
Éclairage de route de la remorque	Arrêt, virage, arrière, feux de position, support de plaque d'immatriculation illuminé	
Connecteur de lumière de route de la remorque	Connecteur de VR à sept voies	
Œillet de levage – Capacité nominale	5 000 lb	2 267 kg
Points de fixation	Deux fentes de fixation dans le tube de passages de fourches arrière et avant	
Passages de fourches	Deux de chaque côté	

Alimentation – CA

Fréquence	60 Hz
Puissance de sortie principale nominale avec un moteur Cat 1.5T	15,0 kW
Alternateur	Régulateur de tension automatique (AVR) 120 /240 volts CA
Phases	Monophasée

Moteur – Information Service général

CAT TURBO C1.5T		
Spécifications	Impérial	Métrique
Modèle	Cat C1.5T	
Type	Moteur diesel à trois cylindres refroidi à l'eau	
Cylindrée	91 po ³	1 491 cm ³
Aspiration	Turbocompresseur	
Émissions	Niveau 4 final EPA/Niveau IV de l'UE	
Puissance de sortie – Principale	22,3 ch à 1 800 tr/min	16,6 kWm à 1 800 tr/min
Système de carburant	Injection indirecte	
Aide au démarrage	Bougie de préchauffage	
Alternateur de moteur	60 A	
Arrêt automatique de faible pression d'huile	10 psi	69 kPa

Arrêt automatique de température élevée de l'eau	234 °F	112 °C
Carburant	En Amérique du Nord, il faut utiliser des carburants diesel qui respectent la norme ASTM D975 pour le diesel à faible teneur en soufre (ULSD). L'ULSD a un contenu maximal de soufre de 15 parties par million (PPM) ou de 15 mg/kg. Le carburant diesel peut être des types 1-D et 2-D. Consulter le manuel d'utilisation du moteur pour des renseignements détaillés.	
Huile à moteur	Consulter le manuel d'utilisation du moteur pour obtenir de l'information détaillée.	
Capacité d'huile à moteur – Avec filtre	7,5 pte	7,0 L
Capacité du système de liquide de refroidissement	6,5 pte	6,1 L
Capacité du réservoir de trop-plein de liquide de refroidissement	1,1 pte	1,0 L
Intervalle de service – Filtre à carburant	500 heures	
Intervalle de service – Filtre et changement d'huile	500 heures	

Alimentation – CC

Nombre de batteries	1-2
Taille de la batterie	Groupe 24
Type de batterie	Standard : Acide au plomb Facultatif : fibres de verre imprégnées (AGM)
Valeurs nominales de la batterie	Standard : 525 CCA à 0 °F (-18 °C) Facultatif : 775 CCA à 0 °F (-18 °C)
Système électrique du moteur	12 volts CC

Guides des composants

En plus de ce manuel d'utilisation, assurez-vous de lire les guides des composants qui sont inclus avec la machine.

Pour les modèles dotés d'un essieu Dexter, les manuels d'utilisation se trouvent en ligne : <http://www.dexteraxle.com/resources/manuals>.

Pour l'entretien des freins électriques, choisissez *Freins électriques de service léger*.

Pour l'entretien des moyeux, des tambours et des roulements, choisissez *Moyeux, tambours et roulements de service léger*.

Pour le calendrier d'entretien, choisissez *Calendrier d'entretien de service léger*.

